



WORKHORSE

S P R A Y E R S[®]

Assembly / Operation Instructions / Parts



UTL Series

40 & 60 GALLON

DTS - UTL - 3 PT Series DELUXE SPRAYERS

Polyethylene Tank

12 Volt Diaphragm Pump

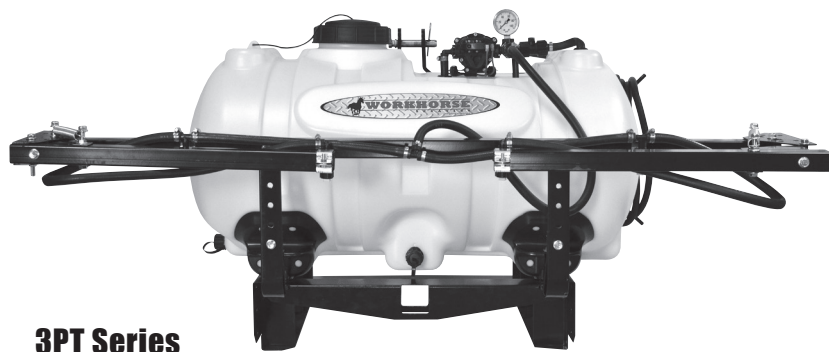
2.2 or 4.0 G.P.M.

Deluxe Pistol Grip Handgun with Adjustable Brass Tip

25 Ft. of 3/8" Hose (handgun)

Pressure Gauge

Adjustable Pressure range (0-60 PSI Max.)



3PT Series



DTS Series

— GENERAL INFORMATION

The purpose of this manual is to assist you in assembling, operating and maintaining your lawn and garden sprayer. Please read it carefully as it furnishes information which will help you achieve years of dependable trouble-free operation.

— ASSEMBLY

Tools required:

- 1 - 7/16" End Wrench
- 2 - 1/2" End Wrenches
- 1 - Phillips Screwdriver
- 1 - Pliers
- 1 - Thread Sealant

— WARRANTY / PARTS / SERVICE

Workhorse products are warranted for one year from the date of purchase against manufacture or workmanship defects for personal or homeowner usage with proof of purchase. Workhorse products are warranted for 90 days for commercial users. Any unauthorized modification of a Workhorse brand sprayer will void warranty.

Your authorized dealer is the best source of replacement parts & service. To obtain prompt, efficient service, always remember to give the following information:

1. Correct part description and part number.
2. Model number of your sprayer.

Part description and part numbers can be obtained from the illustrated parts list section of this manual.

Whenever you need parts or repair service, contact your distributor /dealer first. For warranty work always take your original sales slip, or other evidence of purchase date, to your distributor / dealer.

— OPERATION

This sprayer is designed to be attached to an ATV rack or other stable surface. The pumping system draws solution from the tank, through the strainer and to the pump. The pump forces the solution under pressure to the spray wand and spray boom. The pump has a pressure switch which will shut the pump off when it reaches 60 PSI. Pressure may be regulated by opening or closing the bypass valve located on the top of the tank. Also, the boom can be cycled on and off with this valve. See the illustration in this manual for more details on using the bypass valve.

Regularly inspect the suction supply screen on the inside of the tank. Flush with water to clear any accumulated debris.

— CALIBRATION

Chemical labels may show application rates in gallons per acre, gallons per 1000 square feet or gallons per 100 square feet. You will note that the tip chart shows all three of these rating systems. Once you know how much you are going to spray then determine (from the tip chart) the spraying pressure (PSI), and the spraying speed (MPH). Conditions of weather and terrain must be considered when setting the sprayer. Do not spray on windy days. Protective clothing must be worn in some cases. **Be sure to read the chemical label carefully.** Determining the proper speed of the tractor can be done by marking off 100, 200 and 300 feet. The speed chart indicates the number of seconds it takes to travel the distances. Set the throttle and with a running start travel the distances. Adjust the throttle until you travel the distances in the number of seconds indicated by the speed chart. Once you have reached the throttle setting needed, mark the throttle location so you can stop and go again (returning to the same speed). Add water and proper amount of chemical to tank and drive to the starting place for spraying. When you are ready to spray, turn the boom valve to the "on" position. This will start solution spraying from the tips once the pump is turned on. The pressure will decrease slightly when the boom is spraying.

WARNING: Some chemicals will damage the pump valves if allowed to soak untreated for a long period of time. Always flush the pump with water after use. Do not allow chemicals to sit in pump for extended times of idleness. Follow chemical manufacturers instructions on disposal of all waste water from the sprayer.

WARNING:
This product can expose you to chemicals including DEHP, known to the State of California to cause birth defects or other reproductive harm.

— AFTER SPRAYING

After use, fill the sprayer part way with water. Start the sprayer and allow clear water to be pumped through the plumbing system and out through the spray wand and boom. Refill the tank about half full with plain water and use a chemical neutralizer such as Nutra-Sol® or equivalent and repeat cleaning instructions. Flush the entire sprayer with the neutralizing agent. Follow the chemical manufacturer's disposal instructions of all wash or rinsing water.

— WINTER STORAGE

Drain all water and chemical out of sprayer, paying special attention to pump and valves. These items are especially prone to damage from chemicals and freezing weather. The sprayer should be winterized before storage by pumping a solution of RV antifreeze through the entire plumbing. Proper care and maintenance will prolong the life of the sprayer.

RATE CHART FOR 80/110-02 SPRAY TIP

Pressure (PSI)	Capacity (GPM)	GALLONS PER ACRE BASED ON WATER - 20" SPACING							
		1 MPH 88 FPM	2 MPH 176 FPM	3 MPH 264 FPM	4 MPH 352 FPM	5 MPH 440 FPM	7.5 MPH 660 FPM	10 MPH 880 FPM	
20.0	0.14	41.8	20.9	14.0	10.5	8.4	5.6	4.2	
30.0	0.17	51.2	25.6	17.2	12.9	10.3	6.9	5.1	
40.0	0.20	59.2	29.6	19.8	14.9	11.9	7.9	5.9	
50.0	0.23	66.4	33.2	22.2	16.6	13.3	8.8	6.6	

Pressure (PSI)	Capacity (GPM)	GALLONS PER 1000 SQ. FT. BASED ON WATER - 20" SPACING							
		.96	.48	.32	.24	.19	.13	.10	
20.0	0.14	.96	.48	.32	.24	.19	.13	.10	
30.0	0.17	1.18	.59	.39	.30	.24	.16	.12	
40.0	0.20	1.36	.68	.45	.34	.27	.18	.14	
50.0	0.23	1.52	.76	.51	.38	.31	.20	.15	

Pressure (PSI)	Capacity (GPM)	GALLONS PER 100 SQ. FT. BASED ON WATER - 20" SPACING							
		.096	.048	.032	.024	.019	.012	.009	
20.0	0.14	.096	.048	.032	.024	.019	.012	.009	
30.0	0.17	.117	.059	.039	.029	.024	.015	.011	
40.0	0.20	.135	.066	.045	.034	.027	.018	.013	
50.0	0.23	.152	.076	.050	.038	.030	.020	.015	

MPH- Miles Per Hour • FPM- Feet Per Minute • PSI- Pounds Per Square Inch • GPM- Gallons Per Minute

— BOOMLESS NOZZLE RATE CHART —

SPEED IN MPH	Time Required in Seconds to Travel a distance of:		
(Miles Per Hour)	100 ft	200 ft	300 ft
1.0	68.0	136	205
2.0	34.0	68	102
3.0	23.0	45	68
4.0	17.0	34	51
5.0	14.0	27	41
6.0	11.0	23	34
7.0	9.7	19	29

1200PS	(1/4" MNPT)		SPEED (MPH)							
	PSI	GPM	SPRAY DISTANCE	1	2	3	4	5	6	7
				GALLONS PER ACRE						
20	1.0	14 ft.	35	18	12	9	7	6	5	
30	1.2	14 ft.	42	21	14	10	8	7	6	
40	1.4	14 ft.	49.5	25	16.5	12	10	8	7	

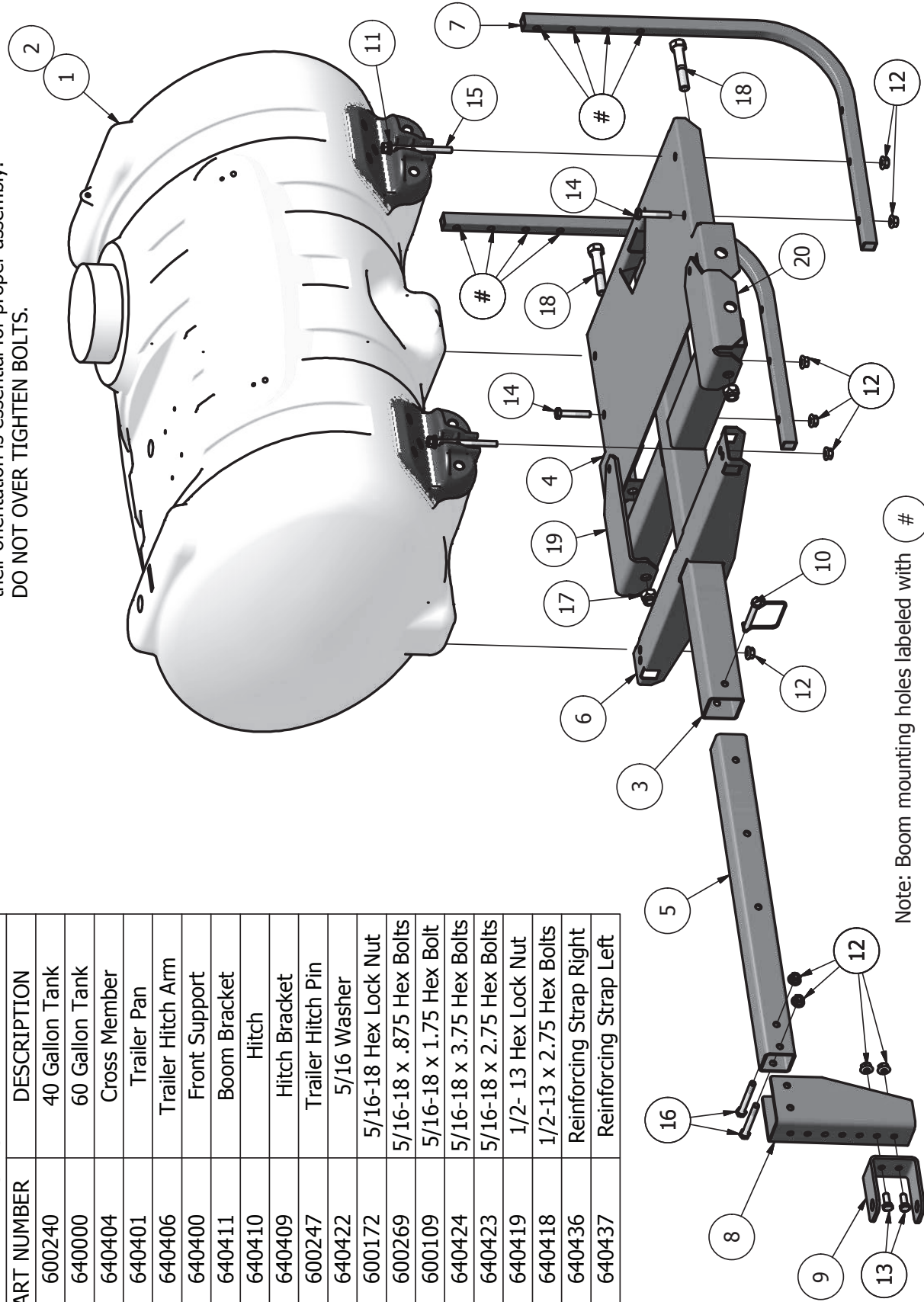
Models: LG 405 DTS, LG 407 DTS, LG 607 DTS

Assembly Instructions

1.0 --Assemble tank and trailer frame as illustrated on this page using hardware shown.

Note the orientation of the Frame Member items as their orientation is essential for proper assembly.
DO NOT OVER TIGHTEN BOLTS.

PARTS LIST		
ITEM	QTY	DESCRIPTION
1	1	40 Gallon Tank
2	1	60 Gallon Tank
3	1	Cross Member
4	1	Trailer Pan
5	1	Trailer Hitch Arm
6	1	Front Support
7	2	Boom Bracket
8	1	Hitch
9	1	Hitch Bracket
10	1	Trailer Hitch Pin
11	4	5/16 Washer
12	10	5/16-18 Hex Lock Nut
13	2	5/16-18 x .875 Hex Bolts
14	2	5/16-18 x 1.75 Hex Bolt
15	4	5/16-18 x 3.75 Hex Bolts
16	2	5/16-18 x 2.75 Hex Bolts
17	2	1/2- 13 Hex Lock Nut
18	2	1/2-13 x 2.75 Hex Bolts
19	1	Reinforcing Strap Right
20	1	Reinforcing Strap Left



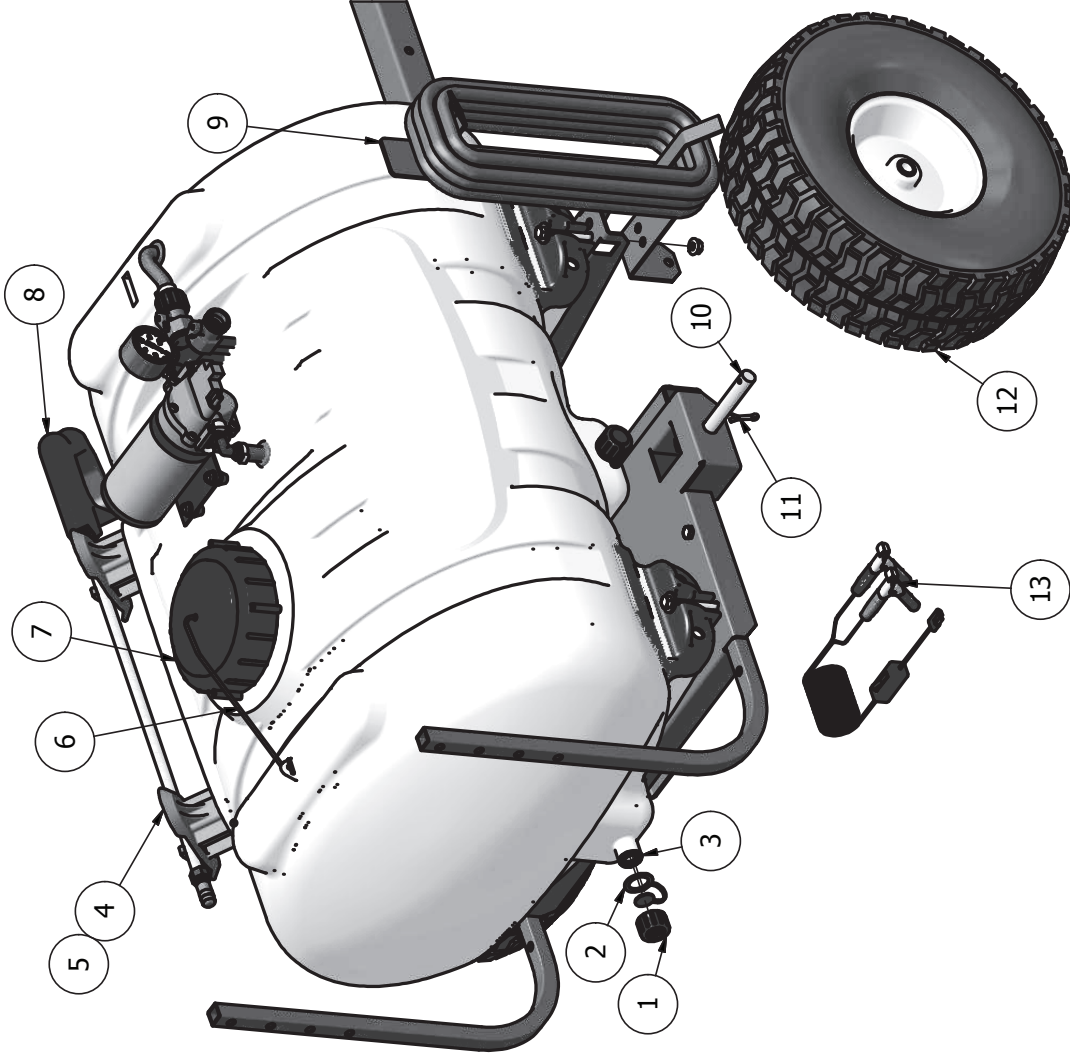
Note: Boom mounting holes labeled with #

Models: LG 405 DTS, LG 407 DTS, LG 607 DTS

cont...

Assembly Instructions

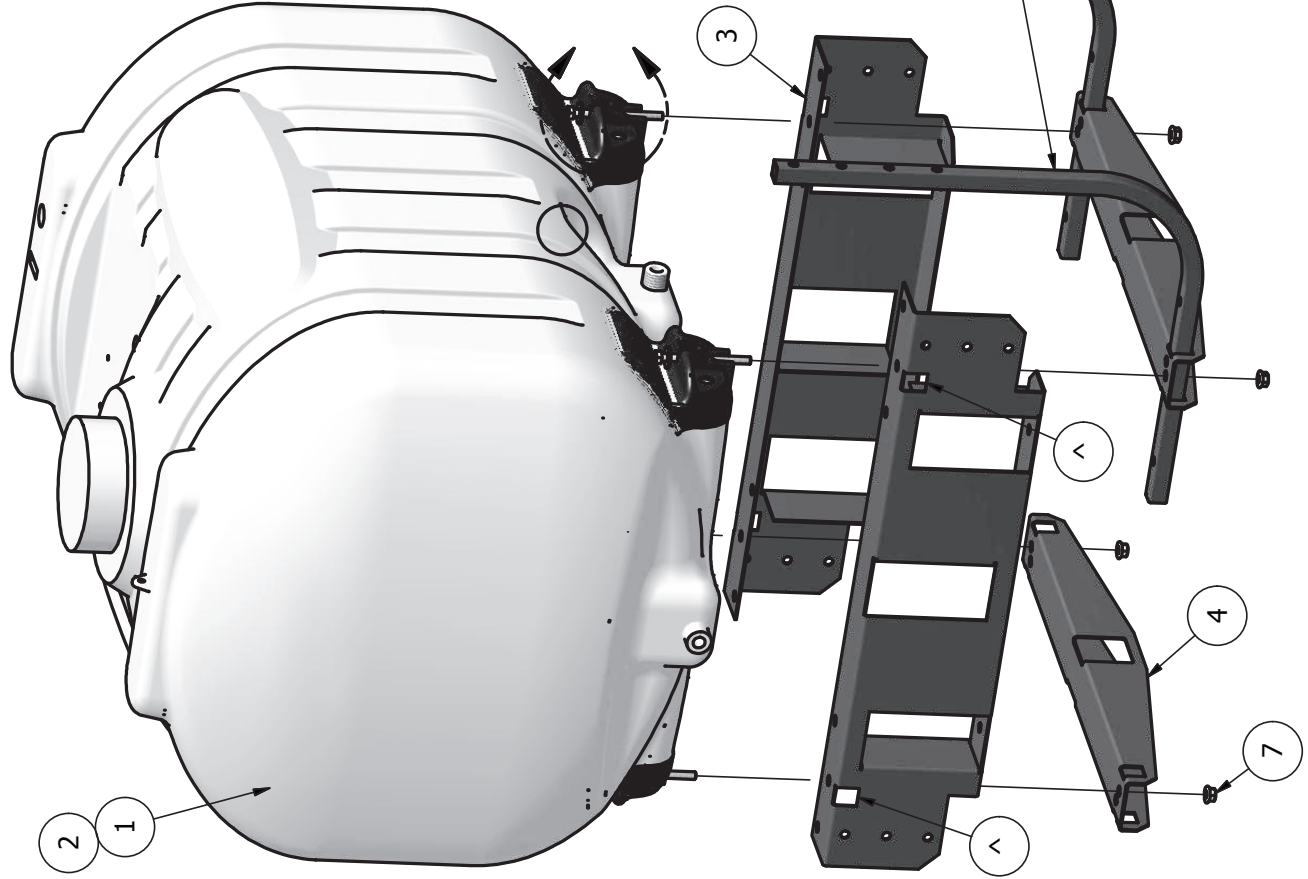
- 2.0 --Install Hose Wrap Bracket (Item 9) onto frame using 5/16 nut. 5/16 nut already installed on frame, it will need to be removed and reinstalled with the Hose Wrap Bracket.
- 2.1 --Install Axle (Item 10) through Rear Trailer Pan and Cross Member as shown, install the 15" Wheel Assemblies over Axle and secure with 1/8" Cotter Pins.
- 2.2 --Insert Lead Wire Assembly (Item 13) into plug at rear of the Pump.
- 2.3 --Join the red wire of the two wire cable to a +12V Source such as a switch, ammeter, or positive battery post. The black wire should be grounded or connected to the negative battery post.
- 2.4 --An additional lead is supplied with Lead Wire Assembly that will allow the use of a standard 12V receptacle on the vehicle. This can be used as a alternate to the battery clips.



PARTS LIST		
ITEM	QTY	PART NUMBER DESCRIPTION
1	2	600139 B 3400 P
2	2	600268 Tank Drain Cap Tether
3	2	600124 W 406
4	2	600279 Plastic Hose Wrap
5	2	600152 Wand Clip Screws
6	1	600134 Tank Lid Tether
7	1	600133 Tank Lid
8	1	600147 18" Deluxe Spray Wand
9	1	640407 Hose Wrap Bracket
10	1	640405 5/8 Axle
11	2	600108 1/8 Cotter Pin
12	2	640104 15" Wheel
13	1	600270 Lead Wire Assembly with Switch (96")

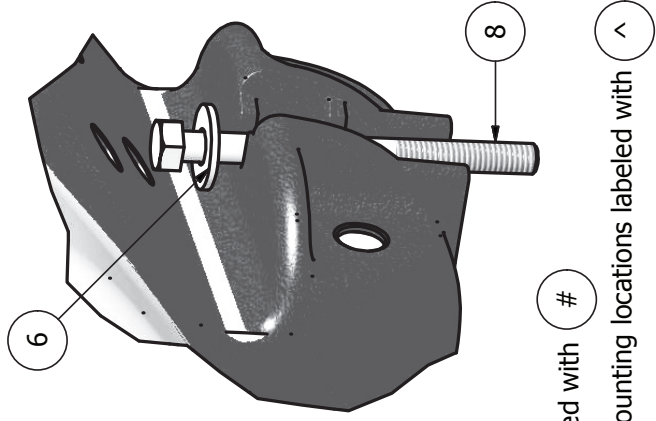
Models: UTL 401, UTL 402, UTL 405, UTL 407, UTL 408, UTL 40 BL, UTL 601, UTL 602, UTL 607, UTL 608, UTL 60 BL

PARTS LIST			
ITEM	QTY	PART NUMBER	DESCRIPTION
1	1	600240	40 Gallon Tank
2	1	640000	60 Gallon Tank
3	2	640402	Side Panel
4	2	640400	Front Support
5	2	640411	Boom Bracket
6	4	640422	5/16 Washer
7	4	600172	5/16-18 UNC Hex Nut
8	4	640424	5/16-18 UNC x 3.75 Hex Bolt



Assembly Instructions

1.0 --Assemble tank and frame as illustrated on this page using hardware shown. Note the orientation of the Frame Member items as their orientation is essential for proper assembly. DO NOT OVER TIGHTEN BOLTS.

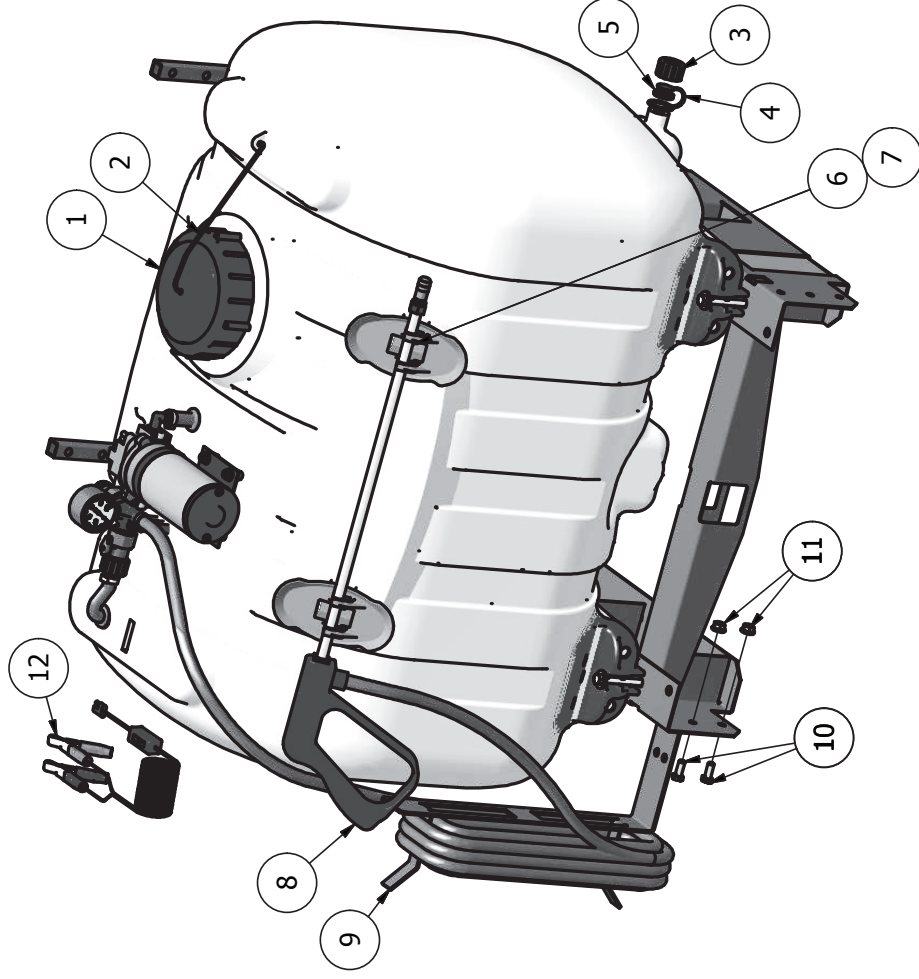


Note: Boom mounting holes labeled with #

Note: Secondary Boom Bracket mounting locations labeled with ^

Assembly Instructions

- 2.0 --Install Hose Wrap Bracket (item 9) onto frame using 5/16 screws (item 10) and nuts (item 11)
- 2.1 --Insert Lead Wire Assembly (Item 12) into plug at rear of the pump
- 2.2 --Join the red wire of the two wire cable to a +12V Source such as a switch, ammeter, or positive battery post. The black wire should be grounded or connected to the negative battery post.
- 2.3 --An additional lead is supplied with Lead Wire Assembly that will allow the use of a standard 12V receptacle on the vehicle. This can be used as a alternate to the battery clips

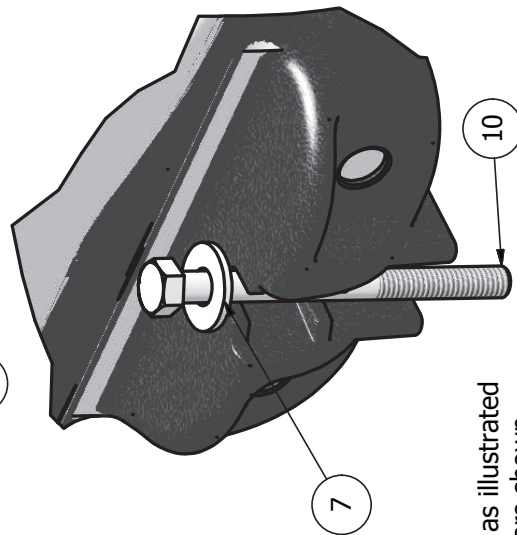
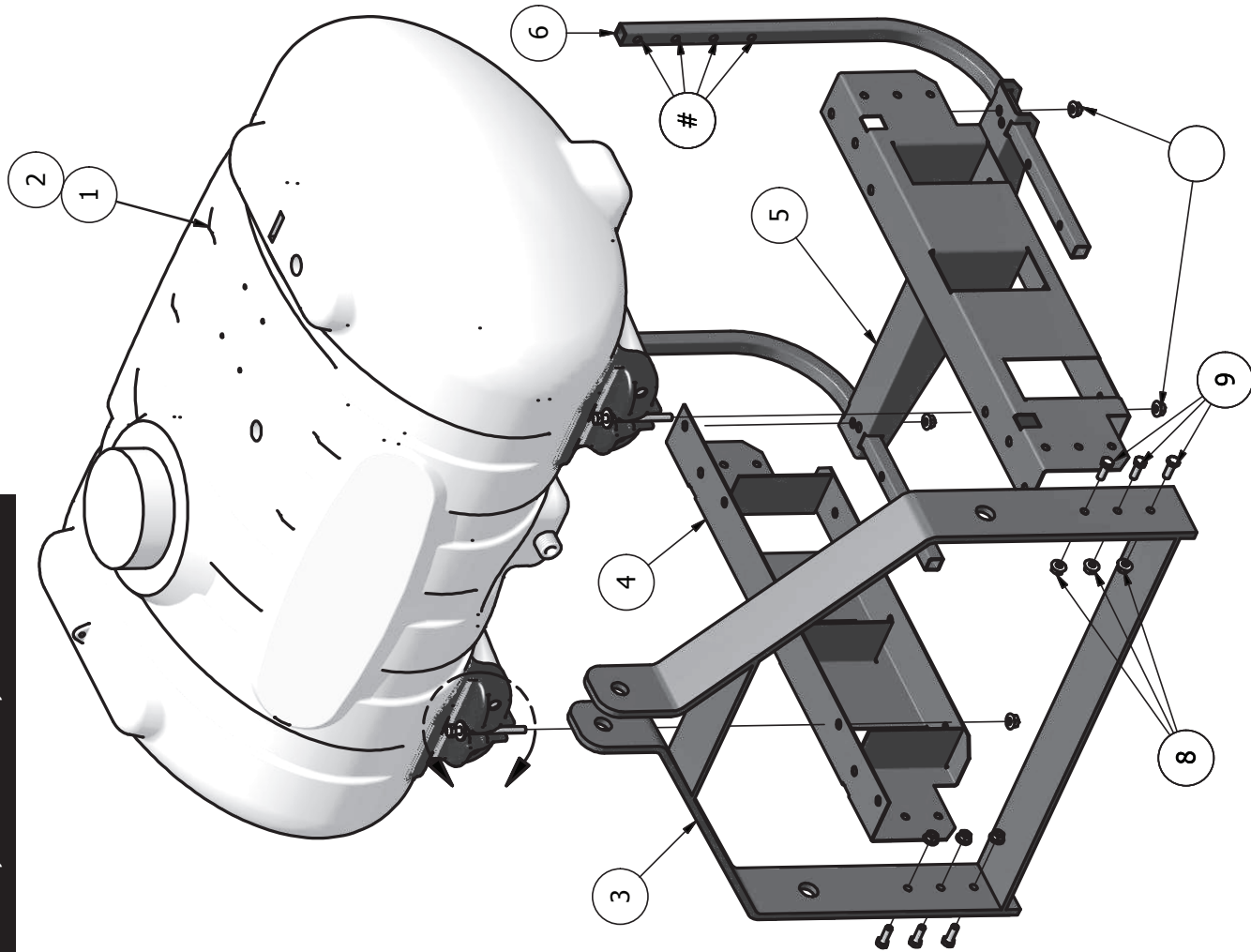


PARTS LIST			
ITEM	QTY	PART NUMBER	DESCRIPTION
1	1	600133	Tank Lid
2	1	600134	Tank Lid Tether
3	4	600139	B 3400 P
4	2	600268	Tank Drain Cap Tether
5	4	600124	W 406
6	2	600279	Plastic Hose Wrap
7	2	600152	Wand Clip Screw
8	1	600147	18" Deluxe Spray Wand
9	1	640407	Hose Wrap Bracket
10	2	600269	5/16-18 x .875" UNC Hex Bolt
11	2	600172	5/16-18 UNC Lock Nut
12	2	600270	Lead Wire Assembly with Switch (96")

Models: LG 404 3PT, LG 405 3PT, LG 407 3PT, LG 408 3PT, LG 409 3PT, LG 410 3PT, LG 411 3PT, LG 412 3PT, LG 413 3PT, LG 414 3PT, LG 415 3PT, LG 416 3PT, LG 417 3PT, LG 418 3PT, LG 419 3PT, LG 420 3PT, LG 421 3PT, LG 422 3PT, LG 423 3PT, LG 424 3PT, LG 425 3PT, LG 426 3PT, LG 427 3PT, LG 428 3PT, LG 429 3PT, LG 430 3PT, LG 431 3PT, LG 432 3PT, LG 433 3PT, LG 434 3PT, LG 435 3PT, LG 436 3PT, LG 437 3PT, LG 438 3PT, LG 439 3PT, LG 440 3PT, LG 441 3PT, LG 442 3PT, LG 443 3PT, LG 444 3PT, LG 445 3PT, LG 446 3PT, LG 447 3PT, LG 448 3PT, LG 449 3PT, LG 450 3PT, LG 451 3PT, LG 452 3PT, LG 453 3PT, LG 454 3PT, LG 455 3PT, LG 456 3PT, LG 457 3PT, LG 458 3PT, LG 459 3PT, LG 460 3PT, LG 461 3PT, LG 462 3PT, LG 463 3PT, LG 464 3PT, LG 465 3PT, LG 466 3PT, LG 467 3PT, LG 468 3PT, LG 469 3PT, LG 470 3PT, LG 471 3PT, LG 472 3PT, LG 473 3PT, LG 474 3PT, LG 475 3PT, LG 476 3PT, LG 477 3PT, LG 478 3PT, LG 479 3PT, LG 480 3PT, LG 481 3PT, LG 482 3PT, LG 483 3PT, LG 484 3PT, LG 485 3PT, LG 486 3PT, LG 487 3PT, LG 488 3PT, LG 489 3PT, LG 490 3PT, LG 491 3PT, LG 492 3PT, LG 493 3PT, LG 494 3PT, LG 495 3PT, LG 496 3PT, LG 497 3PT, LG 498 3PT, LG 499 3PT, LG 500 3PT, LG 501 3PT, LG 502 3PT, LG 503 3PT, LG 504 3PT, LG 505 3PT, LG 506 3PT, LG 507 3PT, LG 508 3PT, LG 509 3PT, LG 510 3PT, LG 511 3PT, LG 512 3PT, LG 513 3PT, LG 514 3PT, LG 515 3PT, LG 516 3PT, LG 517 3PT, LG 518 3PT, LG 519 3PT, LG 520 3PT, LG 521 3PT, LG 522 3PT, LG 523 3PT, LG 524 3PT, LG 525 3PT, LG 526 3PT, LG 527 3PT, LG 528 3PT, LG 529 3PT, LG 530 3PT, LG 531 3PT, LG 532 3PT, LG 533 3PT, LG 534 3PT, LG 535 3PT, LG 536 3PT, LG 537 3PT, LG 538 3PT, LG 539 3PT, LG 540 3PT, LG 541 3PT, LG 542 3PT, LG 543 3PT, LG 544 3PT, LG 545 3PT, LG 546 3PT, LG 547 3PT, LG 548 3PT, LG 549 3PT, LG 550 3PT, LG 551 3PT, LG 552 3PT, LG 553 3PT, LG 554 3PT, LG 555 3PT, LG 556 3PT, LG 557 3PT, LG 558 3PT, LG 559 3PT, LG 560 3PT, LG 561 3PT, LG 562 3PT, LG 563 3PT, LG 564 3PT, LG 565 3PT, LG 566 3PT, LG 567 3PT, LG 568 3PT, LG 569 3PT, LG 570 3PT, LG 571 3PT, LG 572 3PT, LG 573 3PT, LG 574 3PT, LG 575 3PT, LG 576 3PT, LG 577 3PT, LG 578 3PT, LG 579 3PT, LG 580 3PT, LG 581 3PT, LG 582 3PT, LG 583 3PT, LG 584 3PT, LG 585 3PT, LG 586 3PT, LG 587 3PT, LG 588 3PT, LG 589 3PT, LG 590 3PT, LG 591 3PT, LG 592 3PT, LG 593 3PT, LG 594 3PT, LG 595 3PT, LG 596 3PT, LG 597 3PT, LG 598 3PT, LG 599 3PT, LG 600 3PT, LG 601 3PT, LG 602 3PT, LG 603 3PT, LG 604 3PT, LG 605 3PT, LG 606 3PT, LG 607 3PT, LG 608 3PT, LG 609 3PT, LG 610 3PT, LG 611 3PT, LG 612 3PT, LG 613 3PT, LG 614 3PT, LG 615 3PT, LG 616 3PT, LG 617 3PT, LG 618 3PT, LG 619 3PT, LG 620 3PT, LG 621 3PT, LG 622 3PT, LG 623 3PT, LG 624 3PT, LG 625 3PT, LG 626 3PT, LG 627 3PT, LG 628 3PT, LG 629 3PT, LG 630 3PT, LG 631 3PT, LG 632 3PT, LG 633 3PT, LG 634 3PT, LG 635 3PT, LG 636 3PT, LG 637 3PT, LG 638 3PT, LG 639 3PT, LG 640 3PT, LG 641 3PT, LG 642 3PT, LG 643 3PT, LG 644 3PT, LG 645 3PT, LG 646 3PT, LG 647 3PT, LG 648 3PT, LG 649 3PT, LG 650 3PT, LG 651 3PT, LG 652 3PT, LG 653 3PT, LG 654 3PT, LG 655 3PT, LG 656 3PT, LG 657 3PT, LG 658 3PT, LG 659 3PT, LG 660 3PT, LG 661 3PT, LG 662 3PT, LG 663 3PT, LG 664 3PT, LG 665 3PT, LG 666 3PT, LG 667 3PT, LG 668 3PT, LG 669 3PT, LG 670 3PT, LG 671 3PT, LG 672 3PT, LG 673 3PT, LG 674 3PT, LG 675 3PT, LG 676 3PT, LG 677 3PT, LG 678 3PT, LG 679 3PT, LG 680 3PT, LG 681 3PT, LG 682 3PT, LG 683 3PT, LG 684 3PT, LG 685 3PT, LG 686 3PT, LG 687 3PT, LG 688 3PT, LG 689 3PT, LG 690 3PT, LG 691 3PT, LG 692 3PT, LG 693 3PT, LG 694 3PT, LG 695 3PT, LG 696 3PT, LG 697 3PT, LG 698 3PT, LG 699 3PT, LG 700 3PT, LG 701 3PT, LG 702 3PT, LG 703 3PT, LG 704 3PT, LG 705 3PT, LG 706 3PT, LG 707 3PT, LG 708 3PT, LG 709 3PT, LG 710 3PT, LG 711 3PT, LG 712 3PT, LG 713 3PT, LG 714 3PT, LG 715 3PT, LG 716 3PT, LG 717 3PT, LG 718 3PT, LG 719 3PT, LG 720 3PT, LG 721 3PT, LG 722 3PT, LG 723 3PT, LG 724 3PT, LG 725 3PT, LG 726 3PT, LG 727 3PT, LG 728 3PT, LG 729 3PT, LG 730 3PT, LG 731 3PT, LG 732 3PT, LG 733 3PT, LG 734 3PT, LG 735 3PT, LG 736 3PT, LG 737 3PT, LG 738 3PT, LG 739 3PT, LG 740 3PT, LG 741 3PT, LG 742 3PT, LG 743 3PT, LG 744 3PT, LG 745 3PT, LG 746 3PT, LG 747 3PT, LG 748 3PT, LG 749 3PT, LG 750 3PT, LG 751 3PT, LG 752 3PT, LG 753 3PT, LG 754 3PT, LG 755 3PT, LG 756 3PT, LG 757 3PT, LG 758 3PT, LG 759 3PT, LG 760 3PT, LG 761 3PT, LG 762 3PT, LG 763 3PT, LG 764 3PT, LG 765 3PT, LG 766 3PT, LG 767 3PT, LG 768 3PT, LG 769 3PT, LG 770 3PT, LG 771 3PT, LG 772 3PT, LG 773 3PT, LG 774 3PT, LG 775 3PT, LG 776 3PT, LG 777 3PT, LG 778 3PT, LG 779 3PT, LG 780 3PT, LG 781 3PT, LG 782 3PT, LG 783 3PT, LG 784 3PT, LG 785 3PT, LG 786 3PT, LG 787 3PT, LG 788 3PT, LG 789 3PT, LG 790 3PT, LG 791 3PT, LG 792 3PT, LG 793 3PT, LG 794 3PT, LG 795 3PT, LG 796 3PT, LG 797 3PT, LG 798 3PT, LG 799 3PT, LG 800 3PT, LG 801 3PT, LG 802 3PT, LG 803 3PT, LG 804 3PT, LG 805 3PT, LG 806 3PT, LG 807 3PT, LG 808 3PT, LG 809 3PT, LG 810 3PT, LG 811 3PT, LG 812 3PT, LG 813 3PT, LG 814 3PT, LG 815 3PT, LG 816 3PT, LG 817 3PT, LG 818 3PT, LG 819 3PT, LG 820 3PT, LG 821 3PT, LG 822 3PT, LG 823 3PT, LG 824 3PT, LG 825 3PT, LG 826 3PT, LG 827 3PT, LG 828 3PT, LG 829 3PT, LG 830 3PT, LG 831 3PT, LG 832 3PT, LG 833 3PT, LG 834 3PT, LG 835 3PT, LG 836 3PT, LG 837 3PT, LG 838 3PT, LG 839 3PT, LG 840 3PT, LG 841 3PT, LG 842 3PT, LG 843 3PT, LG 844 3PT, LG 845 3PT, LG 846 3PT, LG 847 3PT, LG 848 3PT, LG 849 3PT, LG 850 3PT, LG 851 3PT, LG 852 3PT, LG 853 3PT, LG 854 3PT, LG 855 3PT, LG 856 3PT, LG 857 3PT, LG 858 3PT, LG 859 3PT, LG 860 3PT, LG 861 3PT, LG 862 3PT, LG 863 3PT, LG 864 3PT, LG 865 3PT, LG 866 3PT, LG 867 3PT, LG 868 3PT, LG 869 3PT, LG 870 3PT, LG 871 3PT, LG 872 3PT, LG 873 3PT, LG 874 3PT, LG 875 3PT, LG 876 3PT, LG 877 3PT, LG 878 3PT, LG 879 3PT, LG 880 3PT, LG 881 3PT, LG 882 3PT, LG 883 3PT, LG 884 3PT, LG 885 3PT, LG 886 3PT, LG 887 3PT, LG 888 3PT, LG 889 3PT, LG 890 3PT, LG 891 3PT, LG 892 3PT, LG 893 3PT, LG 894 3PT, LG 895 3PT, LG 896 3PT, LG 897 3PT, LG 898 3PT, LG 899 3PT, LG 900 3PT, LG 901 3PT, LG 902 3PT, LG 903 3PT, LG 904 3PT, LG 905 3PT, LG 906 3PT, LG 907 3PT, LG 908 3PT, LG 909 3PT, LG 910 3PT, LG 911 3PT, LG 912 3PT, LG 913 3PT, LG 914 3PT, LG 915 3PT, LG 916 3PT, LG 917 3PT, LG 918 3PT, LG 919 3PT, LG 920 3PT, LG 921 3PT, LG 922 3PT, LG 923 3PT, LG 924 3PT, LG 925 3PT, LG 926 3PT, LG 927 3PT, LG 928 3PT, LG 929 3PT, LG 930 3PT, LG 931 3PT, LG 932 3PT, LG 933 3PT, LG 934 3PT, LG 935 3PT, LG 936 3PT, LG 937 3PT, LG 938 3PT, LG 939 3PT, LG 940 3PT, LG 941 3PT, LG 942 3PT, LG 943 3PT, LG 944 3PT, LG 945 3PT, LG 946 3PT, LG 947 3PT, LG 948 3PT, LG 949 3PT, LG 950 3PT, LG 951 3PT, LG 952 3PT, LG 953 3PT, LG 954 3PT, LG 955 3PT, LG 956 3PT, LG 957 3PT, LG 958 3PT, LG 959 3PT, LG 960 3PT, LG 961 3PT, LG 962 3PT, LG 963 3PT, LG 964 3PT, LG 965 3PT, LG 966 3PT, LG 967 3PT, LG 968 3PT, LG 969 3PT, LG 970 3PT, LG 971 3PT, LG 972 3PT, LG 973 3PT, LG 974 3PT, LG 975 3PT, LG 976 3PT, LG 977 3PT, LG 978 3PT, LG 979 3PT, LG 980 3PT, LG 981 3PT, LG 982 3PT, LG 983 3PT, LG 984 3PT, LG 985 3PT, LG 986 3PT, LG 987 3PT, LG 988 3PT, LG 989 3PT, LG 990 3PT, LG 991 3PT, LG 992 3PT, LG 993 3PT, LG 994 3PT, LG 995 3PT, LG 996 3PT, LG 997 3PT, LG 998 3PT, LG 999 3PT, LG 1000 3PT

PARTS LIST			
ITEM	QTY	PART NUMBER	DESCRIPTION
1	1	600240	40 Gallon Tank
2	1	640000	60 Gallon Tank
3	1	640403	3 Point Arm
4	2	640402	Side Panel
5	1	640400	Front Support
6	2	640411	Boom Bracket
7	4	640422	5/16 Washer
8	10	600172	5/16-18 UNC Hex Nut
9	6	600269	5/16-18 UNC x .875" Hex Bolt
10	4	640424	5/16-18 UNC x 3.75" Hex Bolt

Note: Boom mounting holes labeled with #



Assembly Instructions

1.0 -- Assemble tank and frame as illustrated on this page using hardware shown. Note the orientation of the Frame Member items as their orientation is essential for proper assembly. DO NOT OVER TIGHTEN BOLTS.

Models: IG 404 3PT, IG 405 3PT, IG 407 3PT, IG 408 3PT, IG 409 3PT, IG 410 3PT, IG 411 3PT, IG 412 3PT, IG 413 3PT, IG 414 3PT, IG 415 3PT, IG 416 3PT, IG 417 3PT, IG 418 3PT, IG 419 3PT, IG 420 3PT, IG 421 3PT, IG 422 3PT, IG 423 3PT, IG 424 3PT, IG 425 3PT, IG 426 3PT, IG 427 3PT, IG 428 3PT, IG 429 3PT, IG 430 3PT, IG 431 3PT, IG 432 3PT, IG 433 3PT, IG 434 3PT, IG 435 3PT, IG 436 3PT, IG 437 3PT, IG 438 3PT, IG 439 3PT, IG 440 3PT, IG 441 3PT, IG 442 3PT, IG 443 3PT, IG 444 3PT, IG 445 3PT, IG 446 3PT, IG 447 3PT, IG 448 3PT, IG 449 3PT, IG 450 3PT, IG 451 3PT, IG 452 3PT, IG 453 3PT, IG 454 3PT, IG 455 3PT, IG 456 3PT, IG 457 3PT, IG 458 3PT, IG 459 3PT, IG 460 3PT, IG 461 3PT, IG 462 3PT, IG 463 3PT, IG 464 3PT, IG 465 3PT, IG 466 3PT, IG 467 3PT, IG 468 3PT, IG 469 3PT, IG 470 3PT, IG 471 3PT, IG 472 3PT, IG 473 3PT, IG 474 3PT, IG 475 3PT, IG 476 3PT, IG 477 3PT, IG 478 3PT, IG 479 3PT, IG 480 3PT, IG 481 3PT, IG 482 3PT, IG 483 3PT, IG 484 3PT, IG 485 3PT, IG 486 3PT, IG 487 3PT, IG 488 3PT, IG 489 3PT, IG 490 3PT, IG 491 3PT, IG 492 3PT, IG 493 3PT, IG 494 3PT, IG 495 3PT, IG 496 3PT, IG 497 3PT, IG 498 3PT, IG 499 3PT, IG 500 3PT

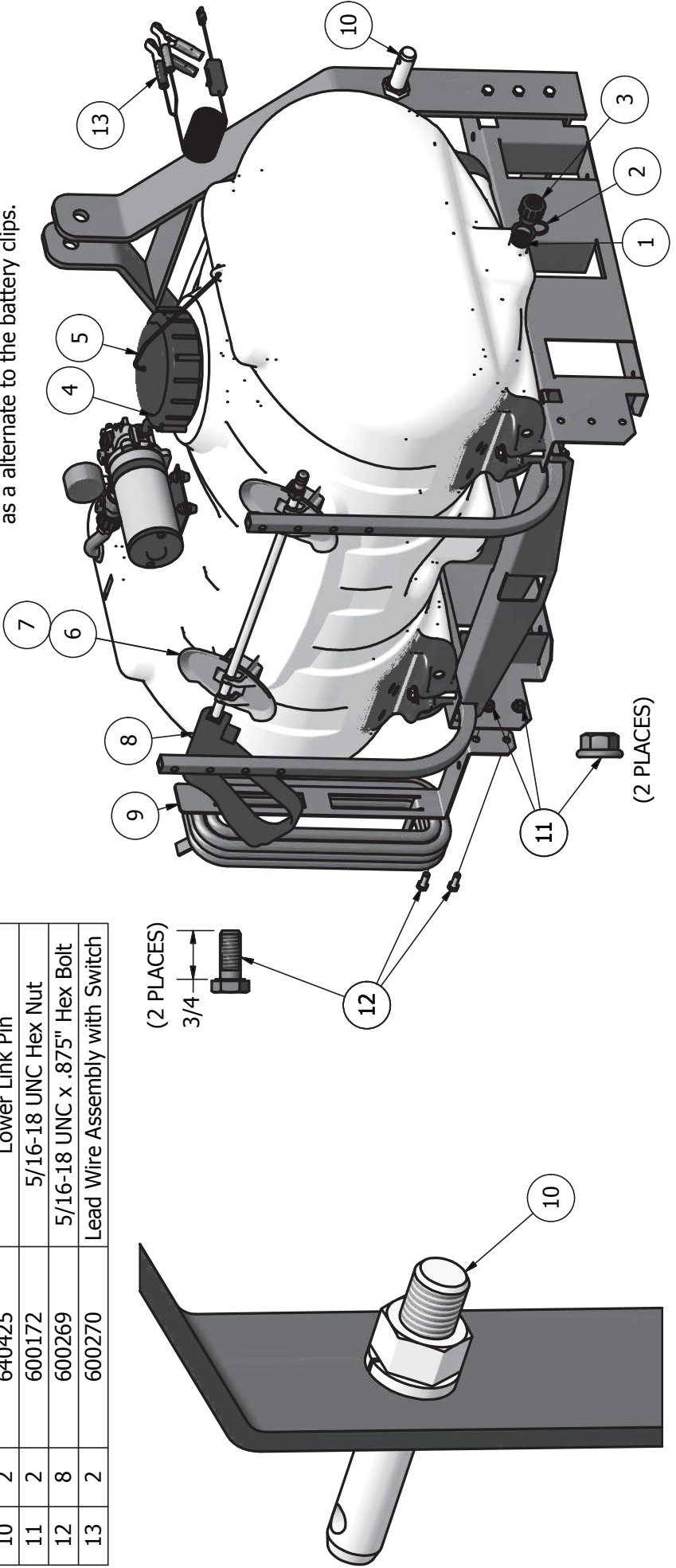
cont...

PARTS LIST

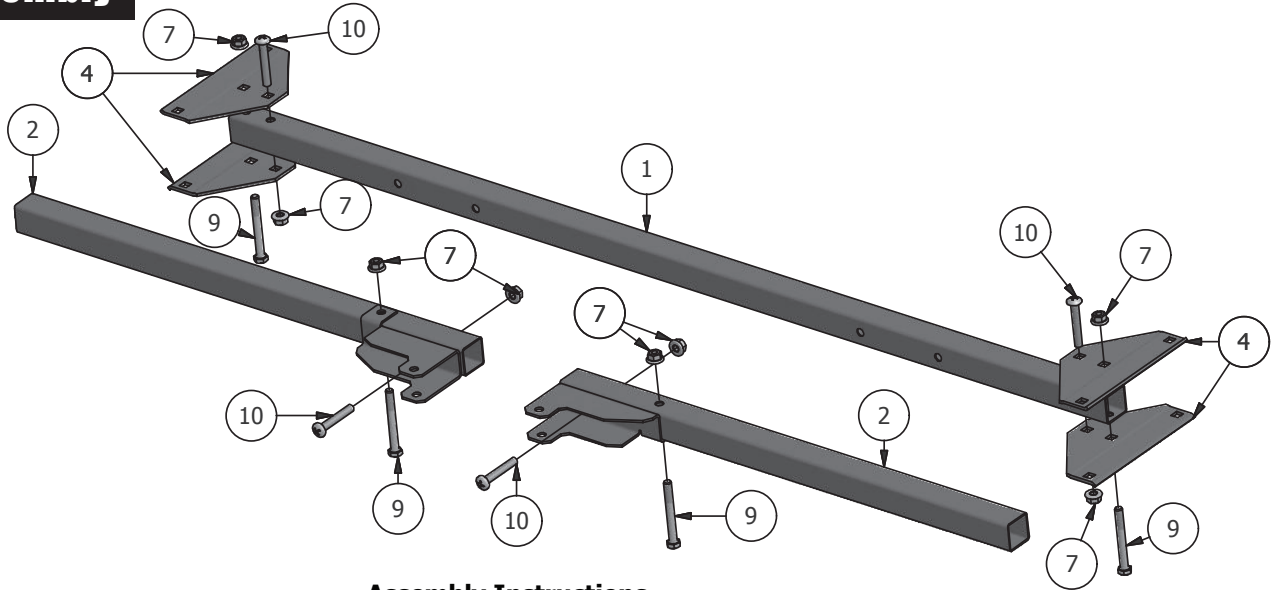
ITEM	QTY	PART NUMBER	DESCRIPTION
1	4	600124	W 406
2	2	600268	Tank Drain Cap Tether
3	4	600139	B 3400 P
4	1	600133	Tank Lid
5	1	600134	Tank Lid Tether
6	2	600279	Plastic Hose Wrap
7	2	600152	Wand Clip Screw
8	1	600147	18" Deluxe Spray Wand
9	1	640407	Hose Wrap Bracket
10	2	640425	Lower Link Pin
11	2	600172	5/16-18 UNC Hex Nut
12	8	600269	5/16-18 UNC x .875" Hex Bolt
13	2	600270	Lead Wire Assembly with Switch

Assembly Instructions

- 2.0 --Install Wand Hose Wrap Bracket (Item 9) onto frame using (2) 5/16 screws (Item 12) and 5/16 nuts.
- 2.1 --Install (2) Lower Link Pins (Item 10) in 3 Point Arm.
- 2.2 --Insert Lead Wire Assembly (Item 13) into plug at rear of the pump.
- 2.3 --Join the red wire of the two wire cable to a +12V Source such as a switch, ammeter, or positive battery post. The black wire should be grounded or connected to the negative battery post.
- 2.4 --An additional lead is supplied with Lead Wire Assembly that will allow the use of a standard 12V receptacle on the vehicle. This can be used as a alternate to the battery clips.

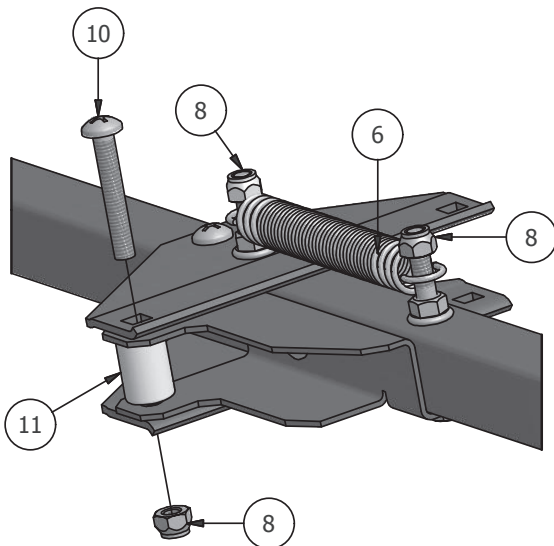
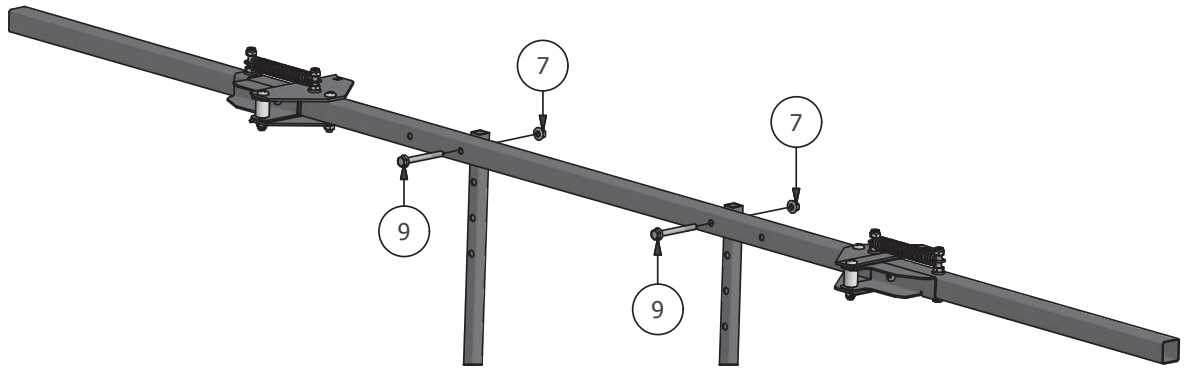


Boom Assembly



Assembly Instructions

- 1.0--Install Boom Arm Brackets to Boom End Sections (23" End Sections for 5 Nozzle and 38" End Sections for 7 Nozzle) using 5/16 x 2.75" Hex Bolts, 5/16 x 2" Pan Head Screws, and 5/16 Hex Nuts. Note the orientation and position of these parts as it is essential for proper assembly.
- 1.1--Install (2) Boom Center Brackets to each end of the 45" Center Boom Section using 5/16 x 2" Pan Head Screws as shown.
- 1.2--Install the Boom Hinge Bolts (5/16 x 2" Pan Head Screws) Through the Boom Center Brackets and the Boom End Brackets as shown in the close up detailed view. Secure in place with the 5/16 Lock Nuts. Making sure not to overtighten bolts so boom can rotate freely.
- 1.3--Install the Boom Springs to Boom Center Brackets and 5/16 x 2.75 Hex bolts as shown in the close up detailed view.
- 1.4--Install the 5/16 Lock Nuts onto 2.75" Hex Bolts to secure the Boom Springs in place. As shown in close up detailed view.
- 1.5--Install the now completed Boom Assembly to the Square Boom Brackets of the Frame Assembly at the desired height, using 5/16 x 2.75" Hex Bolts and 5/16 nuts.



PARTS LIST

ITEM	QTY	PART NUMBER	DESCRIPTION
1	1	640414	45" Boom Center Section
2	2	640412	23" Boom End Section
3	4	640413	48" Boom End Section
4	4	640416	Boom Center Bracket
5	2	640417	Boom Arm Bracket
6	4	640428	Boom Spring
7	8	600172	5/16-18 UNC Nut
8	6	620106	5/16-18 UNC Lock Nut
9	6	640423	5/16-18 UNC x 2.75" Hex Bolt
10	6	640426	5/16-18 UNC x 2" Pan Head Screw
11	2	640459	Boom Spacer

Boom Assembly

cont...

PARTS LIST

ITEM	QTY	PART NUMBER	DESCRIPTION
1	2	600112	NTL38 P Fitting
2	4	600116	N1116 P Nut
3	4	600117	Check Valve / Strainer
4	4	640432	Spray Tip 110-02
5	4	600119	8027 P Nut
6	4	640427	1/4-20 UNC x 1.75 Carriage Bolt
7	4	600107	1/4-20 Lock Nut
8	4	640415	Boom Clamp
9	2	620112	NTT 38 P Fitting
10	1	600142	T38 P Fitting
11	9	600120	5/8" Hose Clamp
12	1	640433	4 Nozzle Hose Assembly
13	1	640434	5 Nozzle Hose Assembly
14	1	640435	7 Nozzle Hose Assembly

Assembly Instructions

2.0 --Install Boom Clamps onto Boom Assembly using 1/4" x 1.75" carriage bolts (Item 6) and 1/4" lock nuts (item 7).

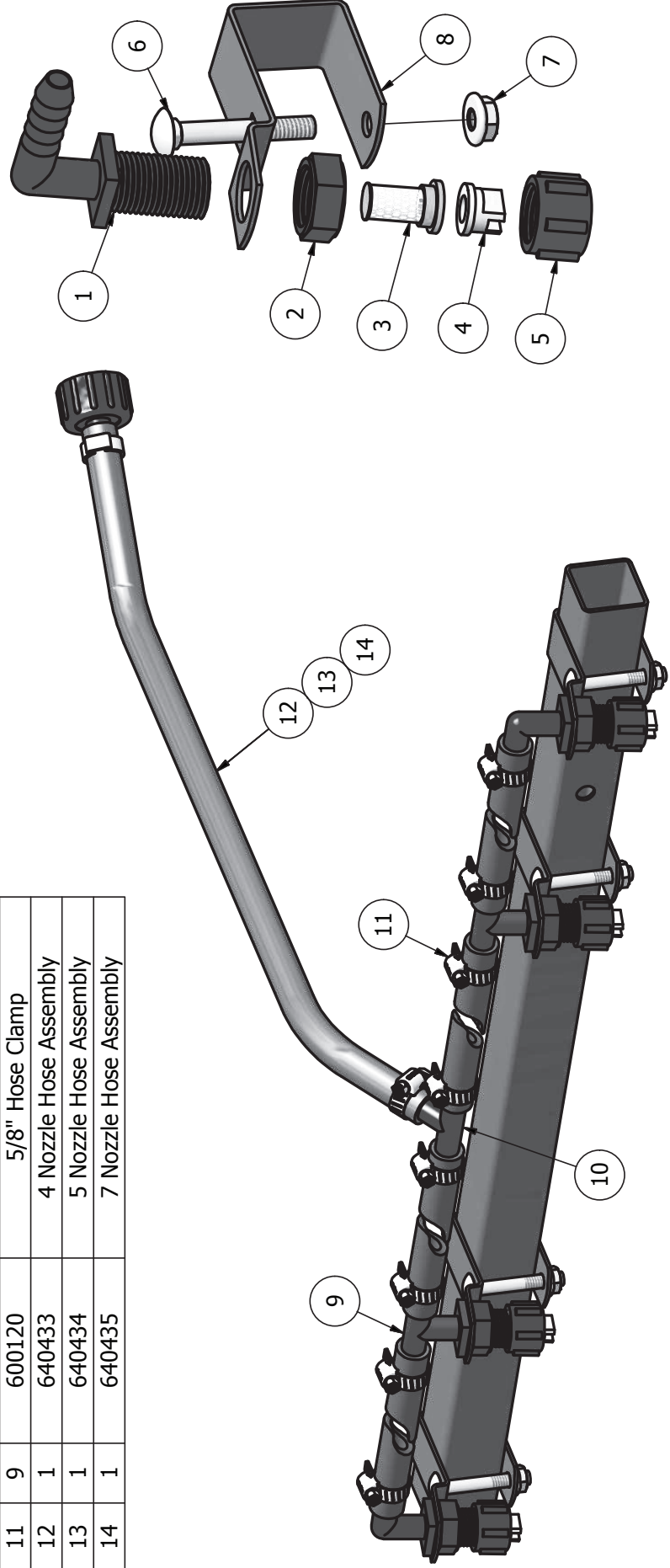
Note: Reference the Boom Layout page to determine the boom clamp mounting locations for your boom.

2.1 --Install fittings (Item 1 and 9) thru Boom Clamps (Item 8) and install Nuts (Item 2) (Do not over - tighten nuts)

2.2 --Insert Check Valves / Strainers (Item 3) into fittings (Items 1 and 9).

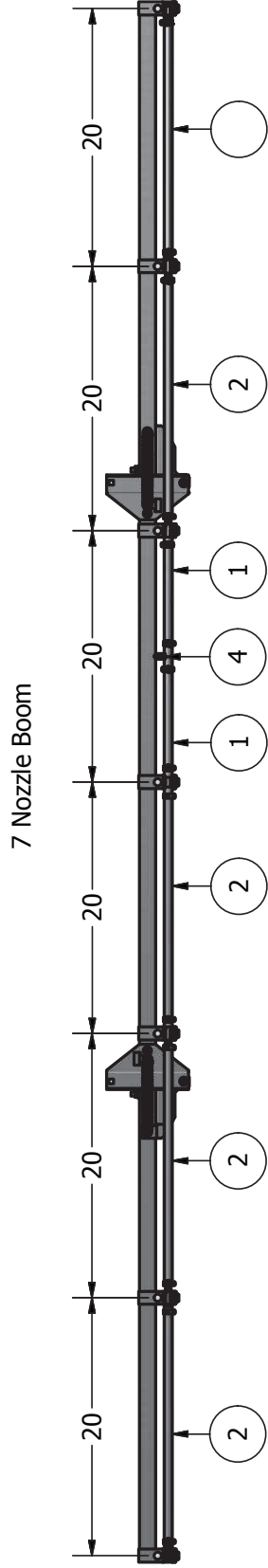
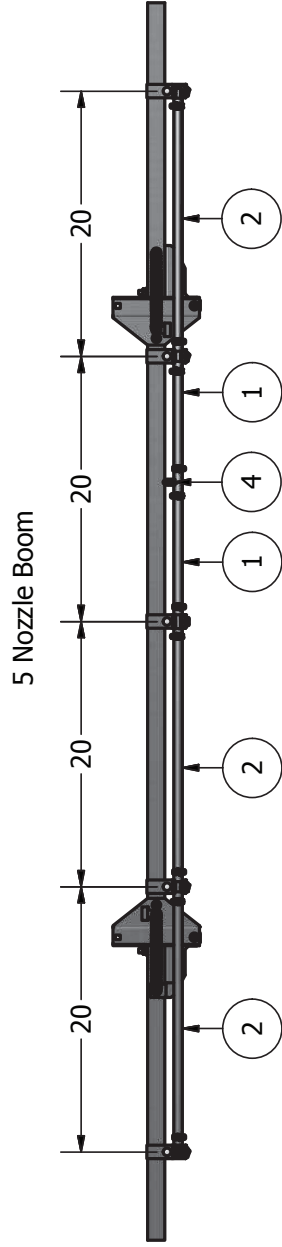
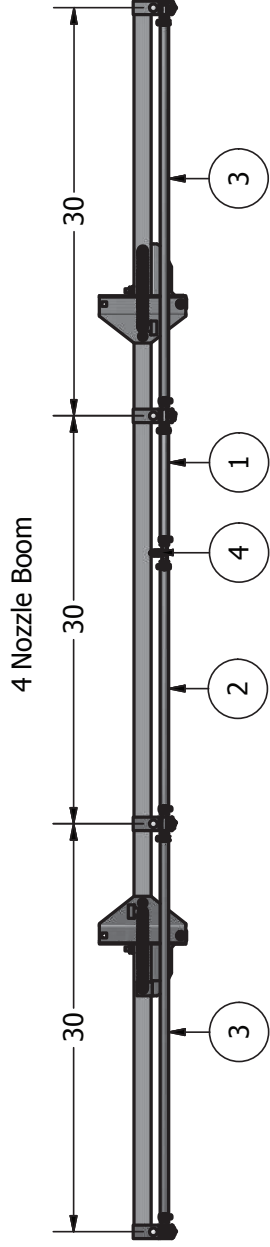
2.3 --Insert Spray Tips (Item 4) in Nuts (Item 5) and screw nuts onto fittings (Items 1 and 9) (assume that tips are oriented correctly to assure proper spray pattern)

2.4 --Install Hose Assembly (Item 12,13 or 14 depending on boom) to the Inline Garden Hose Valve that is attached to the pump.



Boom Hose Layout

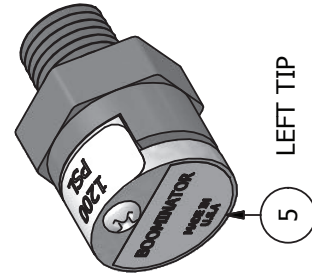
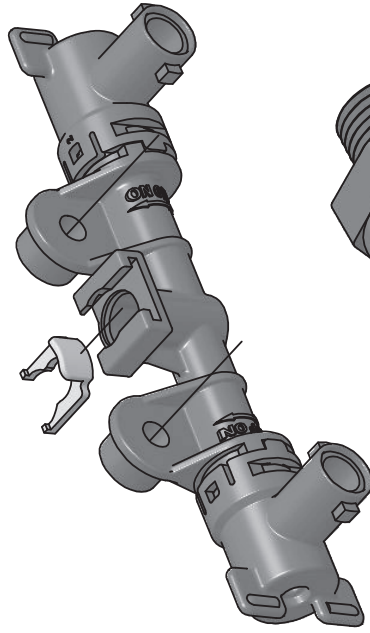
PARTS LIST	
ITEM	PART NUMBER DESCRIPTION
1	640429 10" Boom Hose
2	640430 20" Boom Hose
3	640431 30" Boom Hose
4	600142 T38 P Fitting



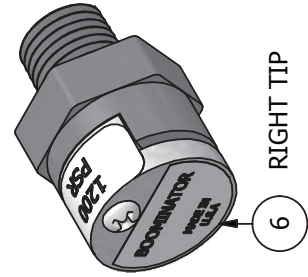
Boomless Assembly

PARTS LIST

ITEM	QTY	PART NUMBER	DESCRIPTION
1	1	600283	Boomless Manifold Assembly
2	1	640408	Boomless Bracket
3	2	640411	Boom Bracket
4	2	600282	Bonnet Cap
5	1	600248	1200 PSL Tip (Left)
6	1	600249	1200 PSL Tip (Right)
7	4	640421	5/16" x 1.25 Hex Bolt
8	8	600172	5/16" Hex Nut
9	1	640439	Boomless Hose Assembly



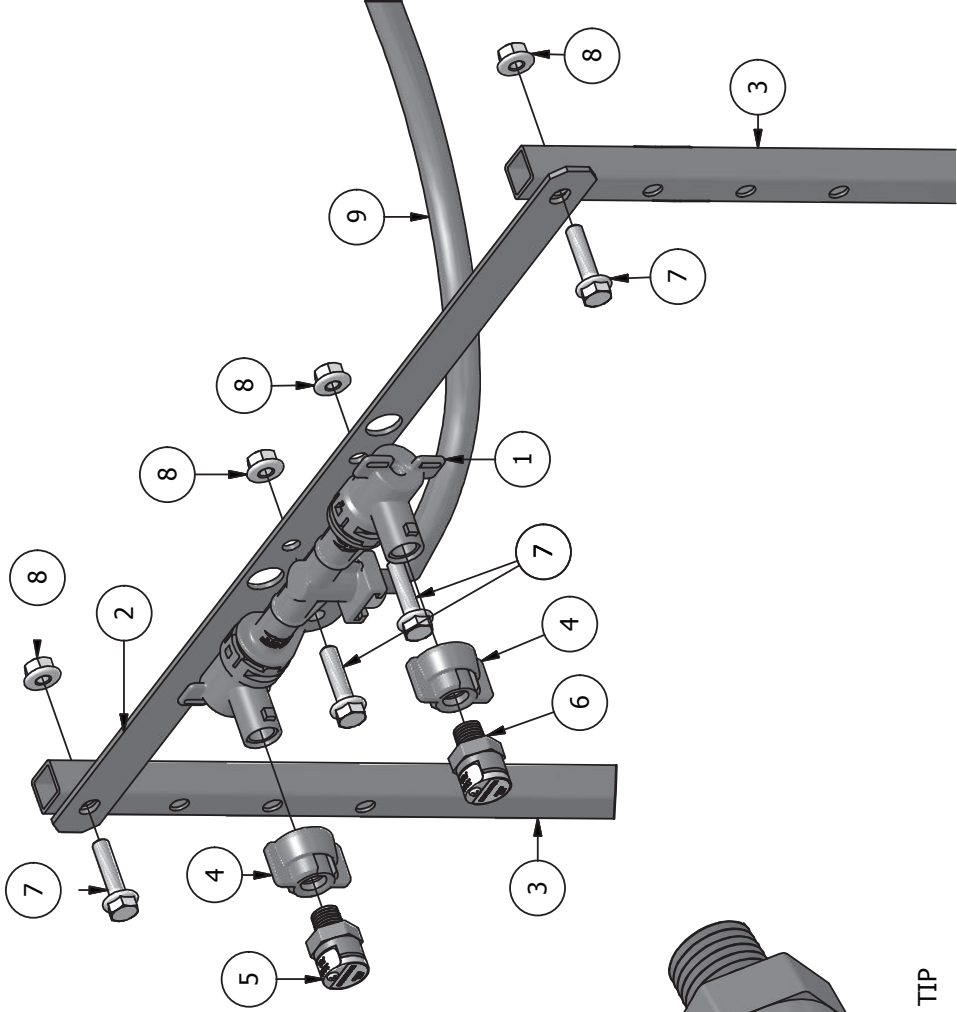
5 LEFT TIP



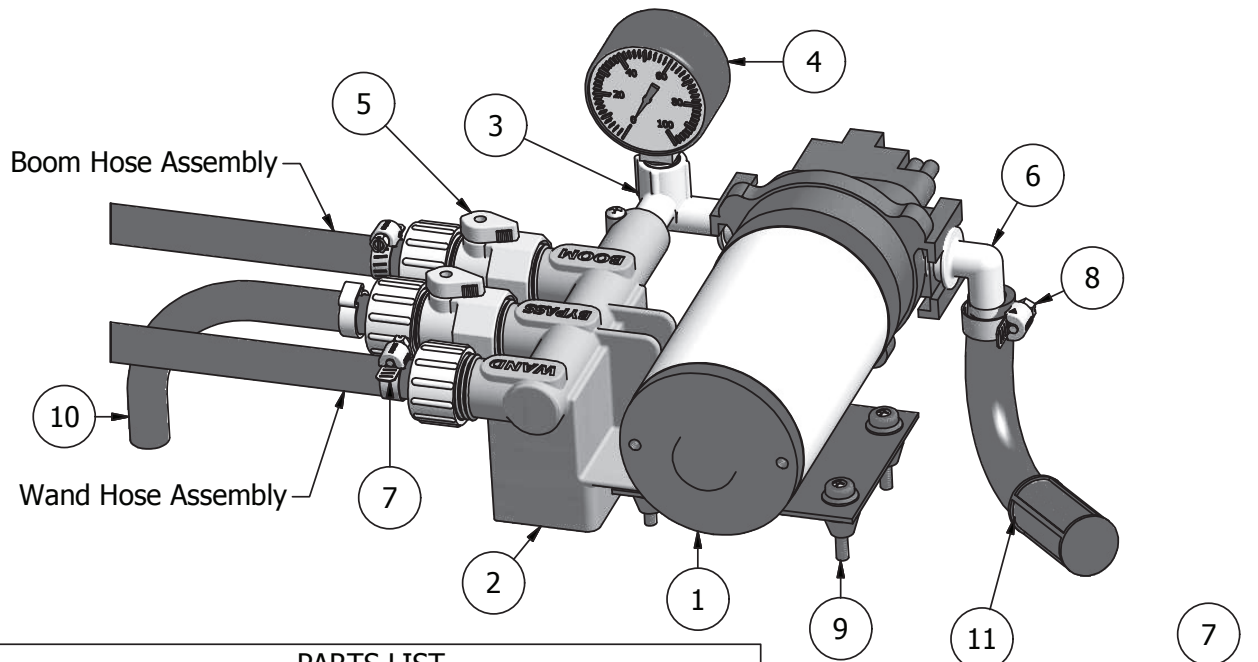
6 RIGHT TIP

Boomless Assembly Instructions

- 1.0--Install Boomless Bracket onto Square Boom Brackets using 5/16" bolts and 5/16" nut
- 1.1--Slide Quick Clip into the back of the Boomless Manifold Assembly. (Quick Clip can only be installed while the Boomless Manifold is not installed on the Boomless Bracket and is used to secure the hose to the Manifold)
- 1.2--Install Boomless Manifold Assembly onto the Boomless Bracket using 5/16" bolts and 5/16" nuts
- 1.3--Install Bonnet Caps onto both ends of the Boomless Manifold Assembly.
- 1.4--Using a quality thread tape install the Left Boomless Tip onto the Left Bonnet Cap and the Right Boomless Tip onto the Right Bonnet Cap. Making sure both are oriented correctly to achieve the correct spray pattern. DO NOT OVERTIGHTEN.
- 1.5--Install Boomless Hose Assembly to Boomless Manifold and secure with Quick Clip. Then Install the other end to Pump Manifold.



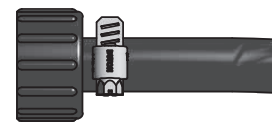
Pump & Valve Assembly



PARTS LIST

ITEM	QTY	PART NUMBER	DESCRIPTION
1	1	640451	2.2 GPM Pump*
1	1	630201	4.0 GPM Pump*
1	1	630031	5.0 GPM Pump*
2	1	600289	Manifold Body
3	1	600291	Elbow (2.2 pumps)
3	1	600292	Elbow (4.0 & 5.0 pumps)
4	1	600129	Gauge 0-100 PSI
5	2	600216	Inline Valve
6	1	600287	QD EL 12
7	2	600120	5/8" Hose Clamp
8	1	600288	1/2" Hose Clamp
9	4	600130	10-24 x 1.25 Screw
10	1	600213	Relief Hose Assembly
11	3	600315	Suction Hose Assembly
12	1	600298	Cap Assembly (not shown)

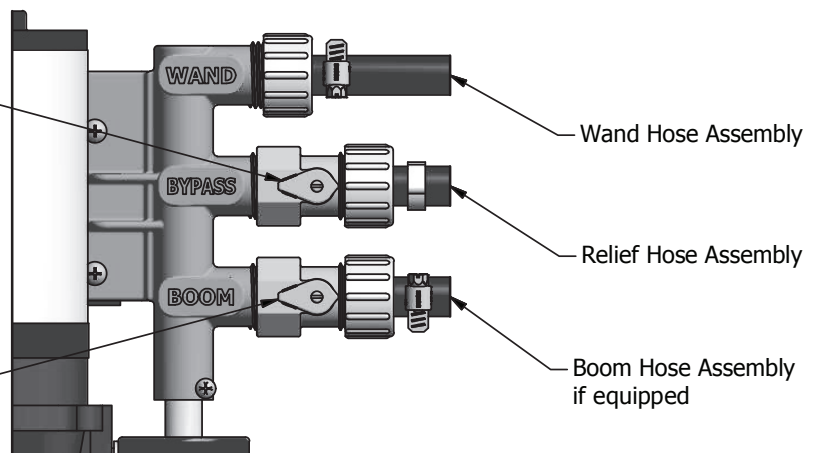
Install Wand Hose Assembly onto Swivel Barb Assembly, by placing a Hose Clamp over the open end of the hose on the Wand Hose Assembly. Then pressing the open end of the hose onto the Swivel Barb Assembly like shown. Secure in place by tightening the Hose Clamp as shown.



*Pump included depends upon model purchased.

The Lever adjusts the system pressure by relieving liquid back to the tank. Adjusting this lever will increase or decrease pressure to both the spray wand and the spray boom.

The lever turns the spray boom on and off



PowerFLO™ Series Pumps

12 Volt DC Motor-Driven Diaphragm Pumps



Model: 7802: 2.2 GPM



Model: 5900: 4.0 GPM

Specifications —

Motor:

Type: 12 VDC, permanent magnet, totally enclosed, non-ventilated

Leads: 18 AWG, 12" long

Duty Cycle: See Heat Rise graph

Temperature Limits: Motor is not equipped with thermal protection. For user safety, optimal performance, and maximum motor life, the motor surface temperature should not exceed 150°F (66°C) (see Heat Rise graph above right).

Pump:

Type: 3 chamber positive displacement diaphragm pump, self priming, capable of being run dry, demand or bypass model.

Certifications: NSF Standard 58

Liquid Temperature: 140°F (60°C) Max.

Priming Capabilities: 14 feet (4 m)

Max Pressure: 60 PSI

Inlet/Outlet Ports: 7802: Quick Attach

Materials of Construction:

Housing: Polypropylene Diaphragm: Santoprene

Valves: Viton Fasteners: Stainless steel

Weight: 6 lbs (2.7 kg)

Installation and Operation Precautions —

1. The pump is equipped with a pressure sensing demand switch that controls the maximum operating pressure.
2. In addition, never subject the pump to pressures above 125 PSI (8.5 bars).
3. As long as there is inlet water pressure, the pump will not stop forward flow of water even if the motor is turned off. Be sure the system has positive means of shutting off water supply.
4. Do not operate pump in an explosive environment. Arcing from the motor brushes, switch or excessive heat from an improperly cycled motor may cause an explosion.
5. Do not locate the pump motor near low temperature plastics or combustible material. The surface temperature of the motor may exceed 250°F (120°C).
6. Do not pump gasoline or other flammable liquids. Pump head materials are designed for use with water only. Do not use with petroleum products.
7. Do not assume fluid compatibility. If the fluid is improperly matched to the pumps' elastomers, a leak may occur.
8. To prevent electrical shock, disconnect power before initiating any work. In the case of pump failure, the motor housing and/or pump fluid may carry high voltage to components normally considered safe. Therefore, always consider electrical shock hazard when working with and handling electrical equipment. If uncertain, consult an electrician. Electrical wiring should only be done by a qualified electrician per local and state electrical codes.

Specifications —

Motor:

Type: 12 VDC, permanent magnet, totally enclosed, non-ventilated

Leads: 14 AWG, 12" long

Duty Cycle: See Heat Rise graph

Temperature Limits: Motor is not equipped with thermal protection. For user safety, optimal performance, and maximum motor life, the motor surface temperature should not exceed 180°F (82°C) (see Heat Rise graph above right).

Pump:

Type: 5 chamber positive displacement diaphragm pump, self priming, capable of being run dry, demand or bypass mode.

Certifications: NSF Standard 58

Liquid Temperature: 140°F (60°C) Max.

Priming Capabilities: 14 feet (4 m)

Max Pressure: 60 PSI

Inlet/Outlet Ports: 5900: Quick Attach

Materials of Construction:

Housing: Polypropylene Diaphragm: Santoprene

Valves: Viton Fasteners: Stainless steel & Zinc plated

Weight: 6 lbs (2.7 kg)

Recommendations —

Electrical:

1. The PowerFlo™ series pumps are designed for intermittent duty. Make sure that "OFF" periods are sufficient. Refer to Rapid ON/OFF Operation. Consult the factory for particular data and design criteria.
2. Be sure power supply used is adequate for the application.
3. Pump and motor specifications are based on an alternator charged battery (13.7 VDC)
4. Use sufficient battery supply power. UTV and lawn tractor batteries may affect pump performance due to low voltage and amp ratings.

Servicing —

Every Year: Check system against operating standards.
Every 2-3 Years: We recommend replacing the diaphragm and checking against operating standards.

* Important return safety instructions:

When you return your pump for warranty or repair, you must always do the following:

1. Flush chemical residue from the pump (best done in the field).
2. Tag pump with type of chemicals having been sprayed.
3. Include complete description of operation problem, such as how pump was used, symptoms of malfunction, etc. Since pumps can contain residues of toxic chemicals these steps are necessary to protect all the people who handle return shipments, and to help pinpoint the reason for the breakdown.

Troubleshooting Guide —

Problem/Causes and Remedies:

Pump will not Start

Check:

- Correct voltage ($\pm 10\%$) and electrical connections
- Fuse or breaker
- Pressure switch operation and correct voltage at switch
- Rectifier or motor for open or grounded circuit
- Locked drive assembly

Pump will not Shut Off (Output line closed and no leaks)

Check:

- Air trapped in outlet line or pump head
- Correct voltage to pump
- Debris in pump inlet/outlet valves
- Loose drive assembly or pump head screws
- Pressure switch operations/adjustments

Pump will not Prime (No discharge with motor running)

Check:

- Debris in strainer
- Restriction (kinks) in inlet/outlet tubes
- Debris or swelling in inlet/outlet valves

Leaks from Pump Head or Switch

Check:

- Loose screws at switch or pump head
- Switch diaphragm ruptured or pinched
- Punctured diaphragm if fluid is present

Spray & Pump FAQs —

--Why does the pump not run all the time?

This is a demand pump and only runs with flow; spray wand, by-pass, spray tips or leak in system

--Why does the pump surge while using the spray wand?

Low flow may cause the pump to surge (or cycle). This could happen when the spray wand is adjusted for a small or fine spray pattern. To overcome, slightly open the by-pass valve.

--How do I adjust the pressure?

Pressure should be adjusted by regulating the by-pass valve (slightly opening or closing).

--What is the optimal operating pressure?

40 PSI - This can be accomplished by turning on the pump and adjusting the bypass valve until the gauge reads 40 PSI (or slightly higher). The pump will run continuously. Ensure that the boom and/or handgun is not spraying while you set the pressure. The pressure will drop slightly when the boom and/or handgun is operated.

--What pressure should the pressure gauge read?

Please refer to the operation instructions for boom operating pressures, varying boom pressures can be achieved by regulating or adjusting the by-pass valve. Typically the spray wand will be operated between 20 and 40 PSI.

--What is the recommended PSI to inflate the tires?

30 PSI Max

--My pump quit and will not restart - what should I check?

Check all electrical connections. Ensure switch is in the on position. Check in-line fuse and/or fuse in car adapter end. Ensure correct voltage +/- 10%. 12-13 volt

--Low flow or no flow at all - what should I check?

Check for a clogged suction hose and/or suction strainer. Often you will need to clean the suction strainer. Check for proper voltage.

--Is there a fuse for the sprayer?

Yes, either an in-line fuse, a fuse located in the car adapter housing or both.

--What size fuse should I use as a replacement?

7.5 amp

--What is the range of the spray wand?

35 feet max

--How should I clean the tank after use?

Tank should be cleaned with Nutrasol® or similar tank cleaning agent, and then rinsed with water.

--Is there an adjustment screw on the pump to adjust pressure?

Yes, please refer to the operation instructions, "Adjusting the Pressure Switch".

--How do I remove / replace fuse?

Unscrew in-line fuse connector, or unscrew the car adapter housing.

--Can the spray tip on the wand be replaced with a different type of tip?

Yes, however your wand comes with a #18 tip which is standard. Brass tips generally produce better spray patterns than plastic.

--Each time I turn on the pump my fuse blows.

1) Excessive voltage 2) Improper adjustment of the pressure switch 3) Damaged wiring harness.

--What is the warranty (time duration) on pump, tank, trailer pieces, and accessories?

1 year as stated in operation instructions.

--Pressure gauge reads 85 -90 psi before shutting off - should pump shut off at 60 psi?

Pump 7802 2.0 GPM comes preset from the factory to shut off at 60 PSI. Should this vary please see, "Adjusting the Pressure Switch" in the operation manual. Turn on pump and hold spray wand open, slowly adjust until the pump shuts off at 60 PSI.

--Pump continues to run and surge when not spraying.

Ensure the by-pass is completely closed and your system has no leaks. Check by-pass hose to ensure no fluid is passing through the valve while in the closed position. If so replace valve.

WARNING - Ensure the wiring harness does not become pinched or damaged in any way. This may damage the pump or cause the wiring harness to overheat, resulting in a melt down or fire.