

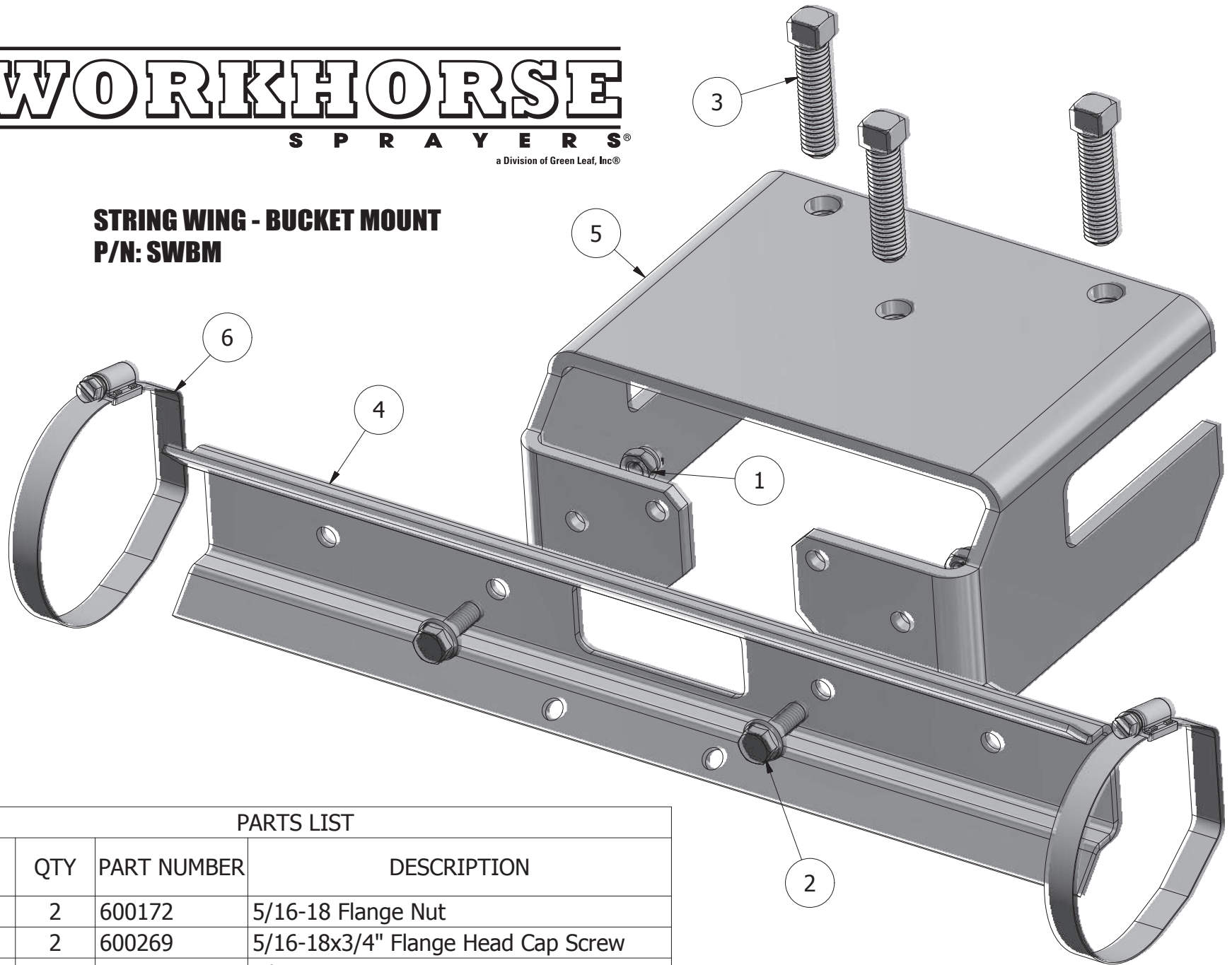


WORKHORSE

S P R A Y E R S[®]

a Division of Green Leaf, Inc[®]

STRING WING - BUCKET MOUNT P/N: SWBM



PARTS LIST

ITEM	QTY	PART NUMBER	DESCRIPTION
1	2	600172	5/16-18 Flange Nut
2	2	600269	5/16-18x3/4" Flange Head Cap Screw
3	3	640472	1/2-13 X 2 Cup Point Set Screw
4	1	640474	String Wing Adapter Bracket
5	1	640475	String Wing Bucket Mount
6	2	SWCLAMP	3" SS Worm Hose Clamp