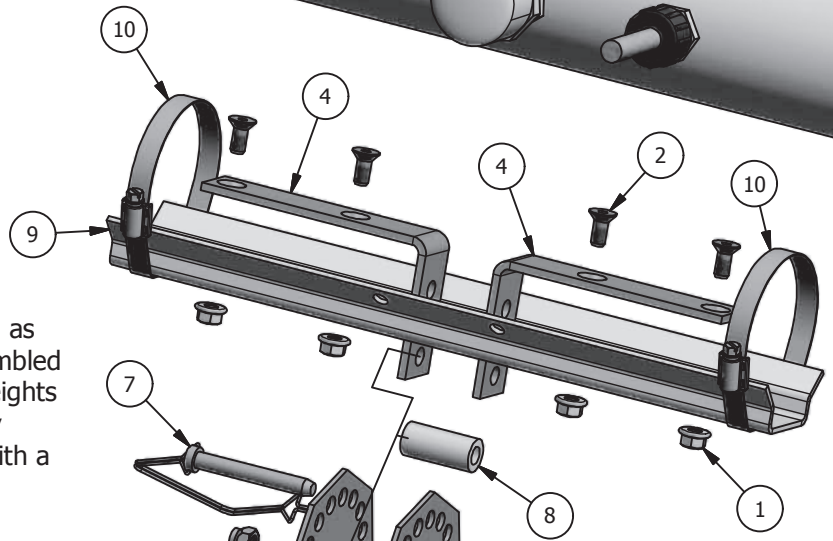
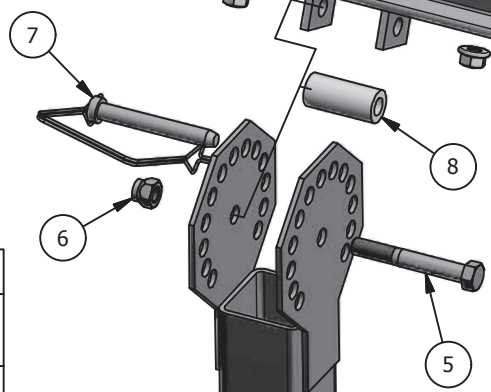


Standard String Wing
(Not Included)

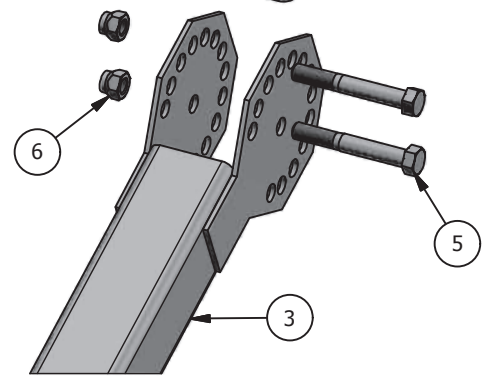
11



Assemble Hitch Mount Members and Boom as illustrated. The Hitch Mounts can be assembled in any orientation to allow various boom heights and angles. The Hitch Mount will fit in any standard 2" vehicle hitch and is retained with a standard 5/8" hitch pin (not included).



PARTS LIST			
ITEM	QTY	PART #	DESCRIPTION
1	6	600172	5/16-18 Hex Flange Nut
2	4	600188	5/16-18 x 3/4" FLT HD Socket Cap Screw
3	2	640466	Hitch Mount
4	2	640467	Boom Adapter Bracket
5	3	640468	3/8-16 x 2 3/4" Hex Bolt
6	3	640469	3/8-16 Lock Nut
7	1	640470	3/8" Retainer Pin w/ Bail
8	1	640471	Round Spacer 1 5/8" Long (3 pieces)
9	1	640474	String Wing Adapter Bracket
10	2	SWCLAMP	3" SS Worm Clamp
11	1	String Wing	



STRING WING - HITCH MOUNT
P/N: SWHM