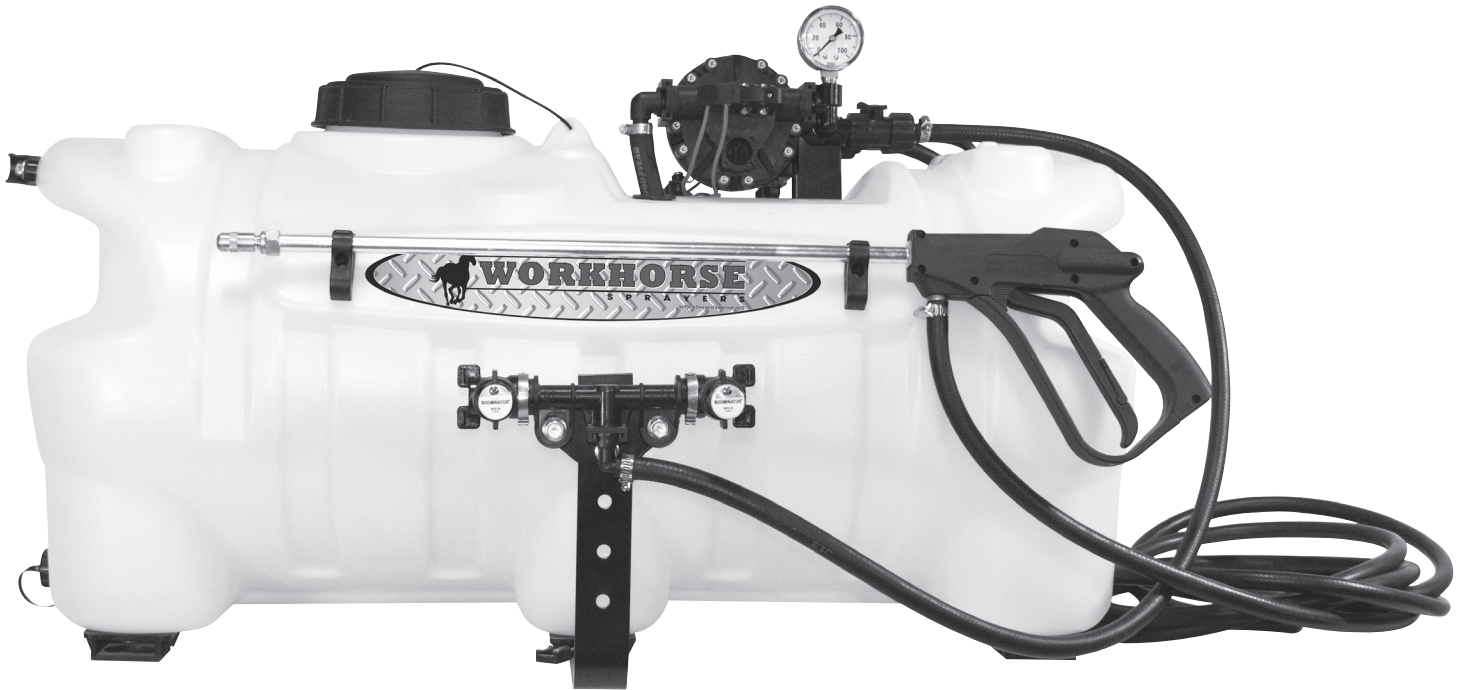


WORKHORSE

S P R A Y E R S

a Division of Green Leaf, Inc.®

Assembly / Operation Instructions / Parts



ATV 25BL

DELUXE ATV BOOMLESS SPRAYER

Polyethylene Tank
12 Volt Diaphragm Pump
4.0 G.P.M. or 5.0 G.P.M.
Lever Handgun
15 Ft. of 3/8" Hose (handgun)

Pressure Gauge
Adjustable Pressure range (0-45 PSI Max.)
2 Nozzle Boomless Tips
Quick Detach Spray Boom Feature

— GENERAL INFORMATION

The purpose of this manual is to assist you in assembling, operating and maintaining your lawn and garden sprayer. Please read it carefully as it furnishes information which will help you achieve years of dependable trouble-free operation.

— ASSEMBLY

Tools required:

- 1 – 3/16" Allen Wrench
- 2 – 1/2" End Wrench
- 1 – Blade Screwdriver
- 1 – Thread Sealant

— WARRANTY / PARTS / SERVICE

Workhorse products are warranted for one year from the date of purchase against manufacture or workmanship defects for personal or homeowner usage with proof of purchase. Workhorse products are warranted for 90 days for commercial users. Any unauthorized modification of a Workhorse brand sprayer will void warranty.

Your authorized dealer is the best source of replacement parts and service. To obtain prompt, efficient service, always remember to give the following information:

1. Correct part description and part number.
2. Model number of your sprayer.

Part description and part numbers can be obtained from the illustrated parts list section of this manual.

Whenever you need parts or repair service, contact your distributor/dealer first. For warranty work always take your original sales slip, or other evidence of purchase date, to your distributor / dealer.

— OPERATION

This sprayer is designed to be attached to an ATV rack or other stable surface. The pumping system draws solution from the tank, through the strainer and to the pump. The pump forces the solution under pressure to the spray wand and spray boom. The pump has a pressure switch which will shut the pump off when it reaches 60 PSI. Pressure may be regulated by opening or closing the bypass valve located on the top of the tank. Also, the spray nozzles can independently be cycled on and off with the Y-valve located on the top of the tank. See the illustration in this manual for more details on using the bypass valve.

Regularly inspect the suction supply screen on the inside of the tank. Flush with water to clear any accumulated debris.

— CALIBRATION

Chemical labels may show application rates in gallons per acre. Once you know how much you are going to spray then determine (from the tip chart) the spraying pressure (PSI), and the spraying speed (MPH). Conditions of weather and terrain must be considered when setting the sprayer. Do not spray on windy days. Protective clothing must be worn in some cases. **Be sure to read the chemical label carefully.** Determining the proper speed of the tractor can be done by marking off 100, 200 and 300 feet. The speed chart indicates the number of seconds it takes to travel the distances.

Set the throttle and with a running start travel the distances. Adjust the throttle until you travel the distances in the number of seconds indicated by the speed chart. Once you have reached the throttle setting needed, mark the throttle location so you can stop and go again (returning to the same speed). Add water and proper amount of chemical to tank and drive to the starting place for spraying. When you are ready to spray, turn the boom valve to the "on" position. This will start solution spraying from the tips once the pump is turned on. The pressure will decrease slightly when the boom is spraying.

— BOOMLESS NOZZLE SPRAY INFORMATION

When spraying the recommended boom nozzle height is 24"-48" above ground level. The spray boom has the ability to shut off one or both tips for application on the left, right or both sides. The entire boom can also be shut off with the valve on the manifold at the pump. The chart at the right shows application rates at different pressure and speed settings. Pressure is adjusted using the bypass valve at the pump and should be adjusted with the tips spraying liquid. We recommend testing/setting the boom pressure using water. Turn the pump on and open the ¼ turn valve to the boom; then adjust the ¼ turn valve on the bypass/agitation line by opening and/or closing the valve to the desired pressure (your gauge will indicate pressure). Once desired pressure has been set, turn off the valve to the boom and leave the bypass/agitation valve set. It is normal to see a raise in pressure while the pump is returning to the tank which also helps to agitate the tank contents. The pressure is set for the boom; you will also be able to use the wand while the boom is off without adjusting the setting. The pump will run until you shut off the pump with the in-line on/off switch.

WARNING: This product can expose you to chemicals including lead, which is known to the State of California to cause cancer. www.P65Warnings.ca.gov

— AFTER SPRAYING

After use, fill the sprayer part way with water. Start the sprayer and allow clear water to be pumped through the plumbing system and out through the spray wand and boom. Refill the tank about half full with plain water and use a chemical neutralizer such as Nutra-Sol® or equivalent and repeat cleaning instructions. Flush the entire sprayer with the neutralizing agent. Follow the chemical manufacturer's disposal instructions of all wash or rinsing water.

— WINTER STORAGE

Drain all water and chemical out of sprayer, paying special attention to pump and valves. These items are especially prone to damage from chemicals and freezing weather. The sprayer should be winterized before storage by pumping a solution of RV antifreeze through the entire plumbing. Proper care and maintenance will prolong the life of the sprayer.

— SPEED CHART —

SPEED IN MPH (Miles Per Hour)	Time Required in Seconds to Travel a distance of:		
	100 ft	200 ft	300 ft
1.0	68.0	136	205
2.0	34.0	68	102
3.0	23.0	45	68
4.0	17.0	34	51
5.0	14.0	27	41
6.0	11.0	23	34
7.0	9.7	19	29

1200PS	(1/4" MNPT)		SPEED (MPH)							
	PSI	GPM	SPRAY DISTANCE	GALLONS PER ACRE						
				1	2	3	4	5	6	7
20	1.0	14 ft.	35	18	12	9	7	6	5	
30	1.2	14 ft.	42	21	14	10	8	7	6	
40	1.4	14 ft.	49.5	25	16.5	12	10	8	7	

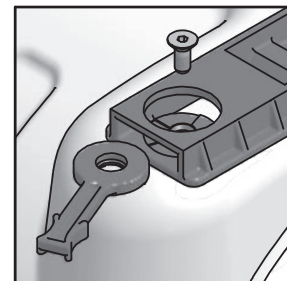
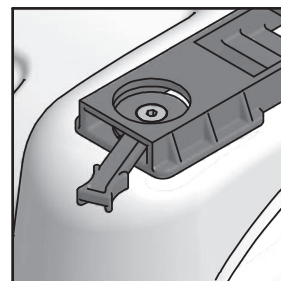
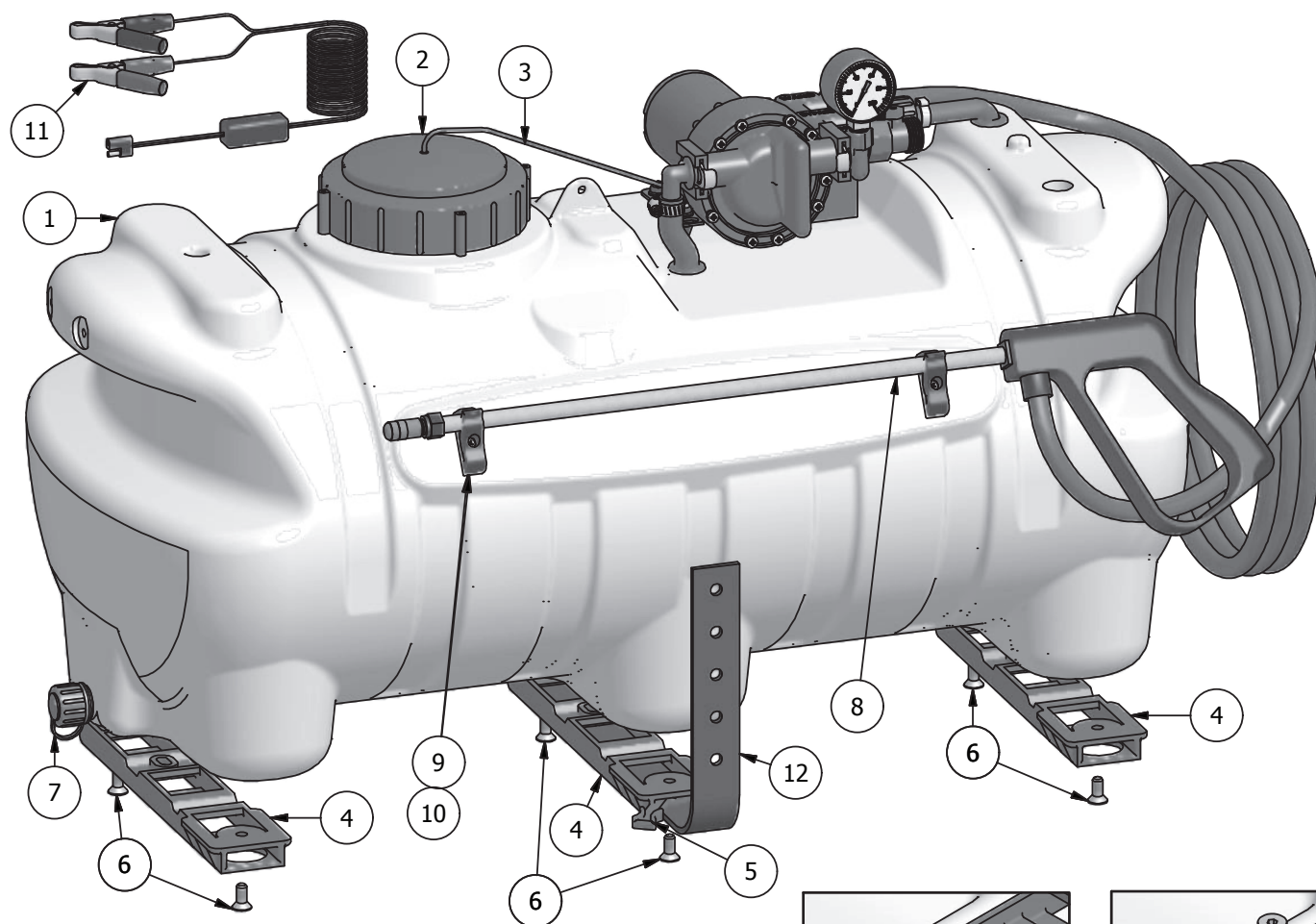
BOOMINATOR® SPRAY NOZZLES CONVERSION FORMULAS

$$\text{Gallons per 1000 sq. ft} = \frac{\text{GPM} \times 136}{\text{MPH} \times \text{Spray Width in Inches}}$$

$$\text{Gallons per Acre} = \frac{\text{GPM} \times 5940}{\text{MPH} \times \text{Spray Width in Inches}}$$

WARNING: Some chemicals will damage the pump valves if allowed to soak untreated for a long period of time. Always flush the pump with water after use. Do not allow chemicals to sit in pump for extended times of idleness. Follow chemical manufacturers instructions on disposal of all waste water from the sprayer.

Assembly Instructions



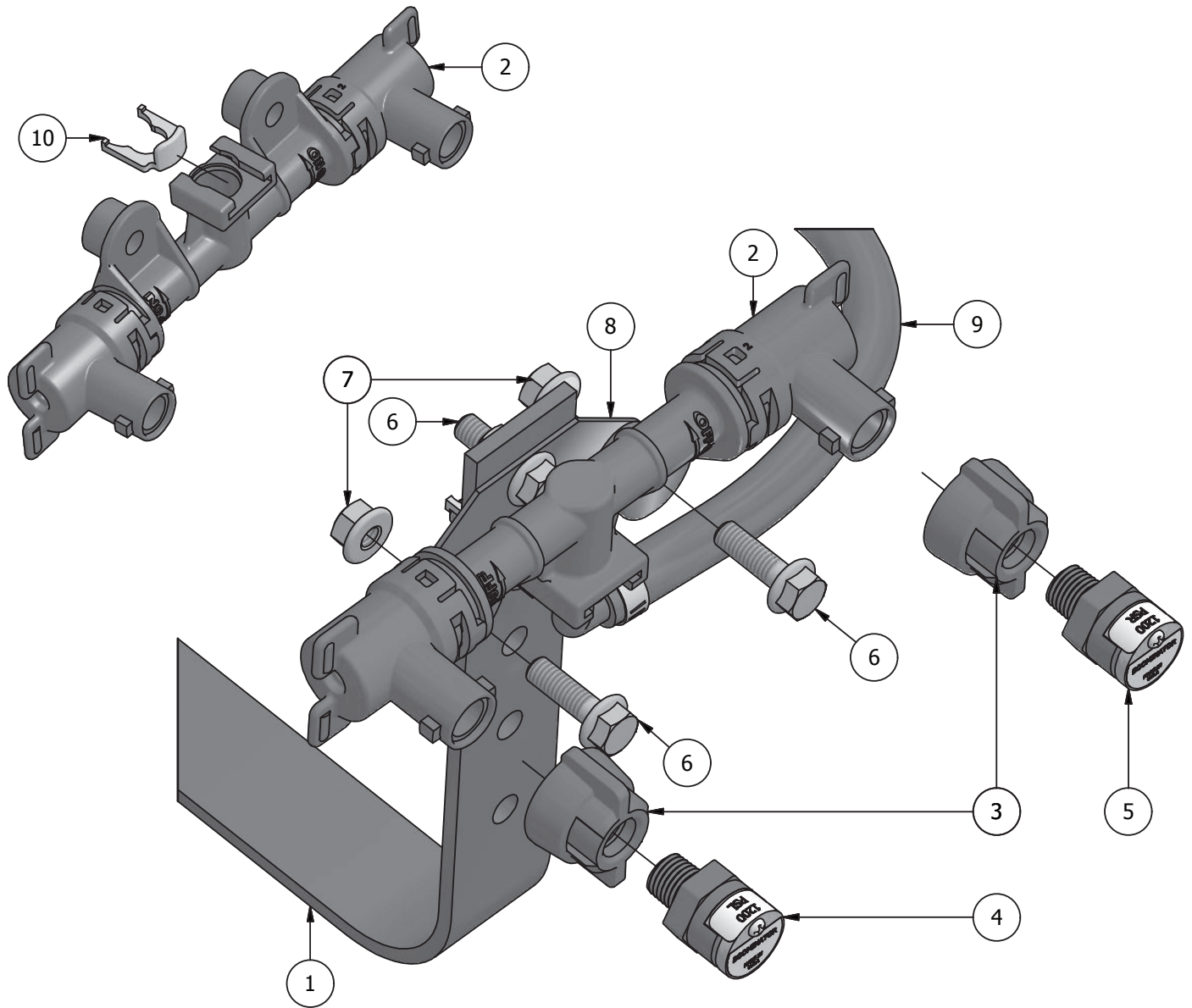
PARTS LIST

ITEM	QTY	PART NUMBER	DESCRIPTION
1	1	600132	25 Gallon Tank
2	1	600133	Tank Lid
3	1	600134	Tank Lid Tether
4	3	600189	ATV Boom Mount
5	3	600190	ATV Helix Lever
6	6	600188	5/16-18 x 3/4 FLT Head Screw
7	1	600298	Drain Cap Assembly
8	1	600156	Deluxe Spray Wand and 15ft Hose
9	2	600151	Spray Wand Clip
10	2	600152	#10-24 x 3/8 Screw
11	1	600270	Lead Wire Assy. w/ Switch (96")
12	1	600191	ATV Angle Bracket

Assembly Instructions

- 1.0--Install ATV Boom Mounts & ATV Helix Lever on bottom of tank as illustrated using 5/16" Flat Head Screws. Note the the orientation of all parts as their orientation is essential for proper assembly.
- 1.1--Install Drain Cap Assembly
- 1.2--Slide ATV Angle Bracket into Center ATV Boom Mount and Slide Rotate Lever to lock into position.
- 1.3--Insert Lead Wire Assembly into plug at rear of the pump.
- 1.4--Join the red wire of the two wire cable to a +12v source such as a switch, ammeter, or positive battery post. The black wire should be grounded or connected to the negative battery post

Spray Assembly Instructions

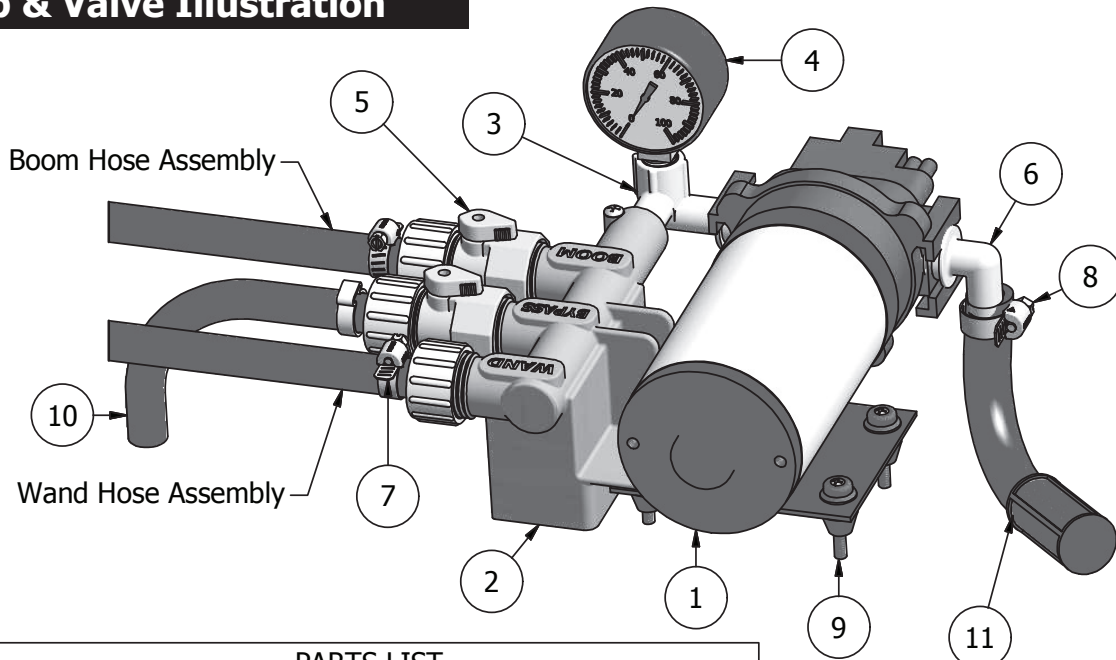


- 2.0--Install Boomless Mounting Brackets onto ATV Angle Bracket using 5/16" x .875" bolts and 5/16" nuts.
- 2.1--Insert Quick Clip into the back of the Boomless Manifold Assembly (The Quick Clip can only be installed before mounting the Boomless Manifold to the Mounting Bracket)
- 2.2--Install Boomless Manifold Assembly onto Boomless Mounting Bracket using 5/16" x .875" bolts and 5/16" Nuts.
- 2.3--Install Bonnet Caps onto both ends of the Boomless Manifold Assembly.
- 2.4--Using a quality thread tape install the Left Boomless Tip onto the Left Bonnet Cap and the Right Boomless Tip onto the Right Bonnet Cap. Making sure both are oriented correctly to achieve the correct spray pattern. DO NOT OVERTIGHTEN.
- 2.5--Install Boomless Hose Assembly to Boomless Manifold and secure with Quick Clip. Then Install other end to Pump Manifold.

PARTS LIST

ITEM	QTY	PART NUMBER	DESCRIPTION
1	1	600191	ATV Angle Bracket
2	1	600283	Boomless Manifold Assembly
3	2	600282	Bonnet Cap
4	1	600248	1200 PSL Tip (Left)
5	1	600249	1200 PSR Tip (Right)
6	4	600269	5/16" x .875" Hex Bolt
7	4	600172	5/16" Hex Nut
8	1	630023	Boomless Mounting Plate
9	1	600252	Boomless Hose Assembly
10	1	600274	Quick Clip

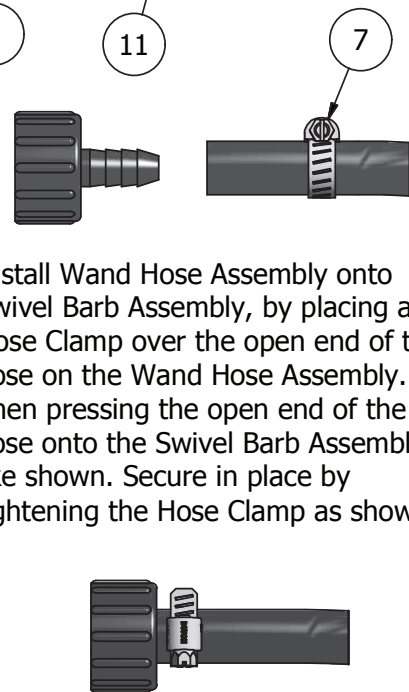
Pump & Valve Illustration



PARTS LIST			
ITEM	QTY	PART NUMBER	DESCRIPTION
1	1	640451	2.2 GPM Pump*
1	1	630201	4.0 GPM Pump*
1	1	630031	5.0 GPM Pump*
2	1	600289	Manifold Body
3	1	600291	Elbow (2.2 pumps)
3	1	600292	Elbow (4.0 & 5.0 pumps)
4	1	600129	Gauge 0-100 PSI
5	2	600216	Inline Valve
6	1	600287	QD EL 12
7	2	600120	5/8" Hose Clamp
8	1	600288	1/2" Hose Clamp
9	4	600130	10-24 x 1.25 Screw
10	1	600213	Relief Hose Assembly
11	3	600315	Suction Hose Assembly
12	1	600298	Cap Assembly (not shown)

*Pump included depends upon model purchased.

Install Wand Hose Assembly onto Swivel Barb Assembly, by placing a Hose Clamp over the open end of the hose on the Wand Hose Assembly. Then pressing the open end of the hose onto the Swivel Barb Assembly like shown. Secure in place by tightening the Hose Clamp as shown.

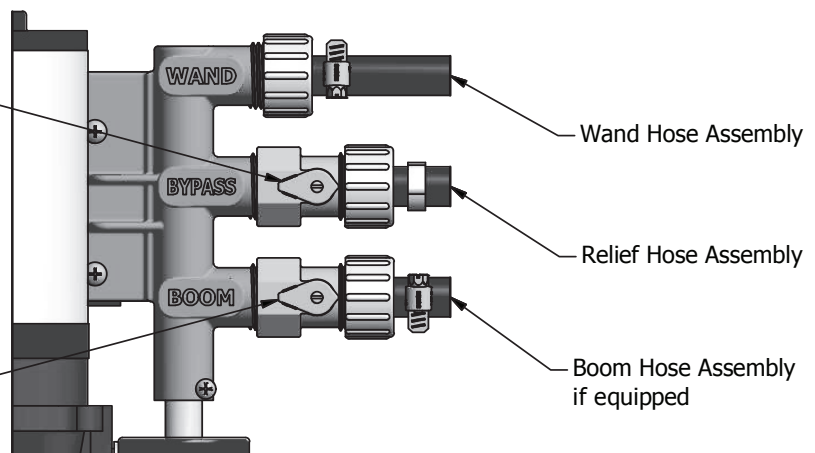


Valve Operation

The Lever adjusts the system pressure by relieving liquid back to the tank. Adjusting this lever will increase or decrease pressure to both the spray wand and the spray boom.

View looking down on the top of the valve assembly

The lever turns the spray boom on and off



PowerFLO™ 5900 Series

12 Volt DC Motor-Driven Diaphragm Pumps



Model: 5900: 4.0 GPM

Specifications —

Motor:

Type: 12 VDC, permanent magnet, totally enclosed, non-ventilated

Leads: 14 AWG, 12" long

Duty Cycle: See Heat Rise graph

Temperature Limits: Motor is not equipped with thermal protection. For user safety, optimal performance, and maximum motor life, the motor surface temperature should not exceed 180°F (82°C)

Pump:

Type: 5 chamber positive displacement diaphragm pump, self priming, capable of being run dry, demand or bypass mode.

Certifications: NSF Standard 58

Liquid Temperature: 140°F (60°C) Max.

Priming Capabilities: 14 feet (4 m)

Max Pressure: 60 PSI

Inlet/Outlet Ports: 5900: Quick Attach

Materials of Construction:

Housing: Polypropylene Diaphragm: Santoprene

Valves: Viton

Fasteners:

Stainless steel & Zinc plated

Weight: 6 lbs (2.7 kg)

Recommendations —

Electrical:

1. The 5900 series pumps are designed for intermittent duty. Make sure that "OFF" periods are sufficient. Refer to Rapid ON/OFF Operation. Consult the factory for particular data and design criteria.
2. Be sure power supply used is adequate for the application.
3. Pump and motor specifications are based on an alternator charged battery (13.7 VDC)
4. Use sufficient battery supply power. Smaller ATV and lawn tractor batteries may affect pump performance due to low voltage and amp ratings.

* Important return safety instructions:

When you return your pump for warranty or repair, you must always do the following:

1. Flush chemical residue from the pump (best done in the field).
2. Tag pump with type of chemicals having been sprayed.
3. Include complete description of operation problem, such as how pump was used, symptoms of malfunction, etc.

Since pumps can contain residues of toxic chemicals these steps are necessary to protect all the people who handle return shipments, and to help pinpoint the reason for the breakdown.

Operation Precautions —

1. The pump is equipped with a pressure sensing demand switch that controls the maximum operating pressure.
2. Do not operate pump in an explosive environment. Arcing from the motor brushes, switch or excessive heat from an improperly cycled motor may cause an explosion.
3. Do not locate the pump motor near low temperature plastics or combustible material. The surface temperature of the motor may exceed 250°F (120°C).
4. Do not pump gasoline or other flammable liquids. Pump head materials are designed for use with water only. Do not use with petroleum products.
5. Do not assume fluid compatibility. If the fluid is improperly matched to the pumps' elastomers, a leak may occur.
6. To prevent electrical shock, disconnect power before initiating any work. In the case of pump failure, the motor housing and/or pump fluid may carry high voltage to components normally considered safe. Therefore, always consider electrical shock hazard when working with and handling electrical equipment. If uncertain, consult an electrician. Electrical wiring should only be done by a qualified electrician per local and state electrical codes.

Troubleshooting Guide —

Problem/Causes and Remedies:

Pump will not Start

Check:

- Correct voltage ($\pm 10\%$) and electrical connections
- Fuse or breaker
- Pressure switch operation and correct voltage at switch
- Rectifier or motor for open or grounded circuit
- Locked drive assembly

Pump will not Prime (No discharge with motor running)

Check:

- Debris in strainer
- Restriction (kinks) in inlet/outlet tubes
- Debris or swelling in inlet/outlet valves

Pump will not Shut Off (Output line closed and no leaks)

Check:

- Air trapped in outlet line or pump head
- Correct voltage to pump
- Debris in pump inlet/outlet valves
- Loose drive assembly or pump head screws
- Pressure switch operations/adjustments

Leaks from Pump Head or Switch

Check:

- Loose screws at switch or pump head
- Switch diaphragm ruptured or pinched
- Punctured diaphragm if fluid is present

Spray & Pump FAQs —

--Why does the pump not run all the time?

This is a demand pump and only runs with flow; spray wand, by-pass, spray tips or leak in system

--Why does the pump surge while using the spray wand?

Low flow may cause the pump to surge (or cycle). This could happen when the spray wand is adjusted for a small or fine spray pattern. To overcome, slightly open the by-pass valve.

--How do I adjust the pressure?

Pressure should be adjusted by regulating the by-pass valve (slightly opening or closing).

--What is the optimal operating pressure?

40 PSI - This can be accomplished by turning on the pump and adjusting the bypass valve until the gauge reads 40 PSI (or slightly higher). The pump will run continuously. Ensure that the boom and/or handgun is not spraying while you set the pressure. The pressure will drop slightly when the boom and/or handgun is operated.

--What pressure should the pressure gauge read?

Please refer to the operation instructions for boom operating pressures, varying boom pressures can be achieved by regulating or adjusting the by-pass valve. Typically the spray wand will be operated between 20 and 40 PSI.

--What is the recommended PSI to inflate the tires?

30 PSI Max

--My pump quit and will not restart - what should I check?

Check all electrical connections. Ensure switch is in the on position. Check in-line fuse and/or fuse in car adapter end. Ensure correct voltage +/- 10%. 12-13 volt

--Low flow or no flow at all - what should I check?

Check for a clogged suction hose and/or suction strainer. Often you will need to clean the suction strainer. Check for proper voltage.

--Is there a fuse for the sprayer?

Yes, either an in-line fuse, a fuse located in the car adapter housing or both.

--What size fuse should I use as a replacement?

7.5 amp

--What is the range of the spray wand?

35 feet max

--How should I clean the tank after use?

Tank should be cleaned with Nutrasol® or similar tank cleaning agent, and then rinsed with water.

--Is there an adjustment screw on the pump to adjust pressure?

Yes, please refer to the operation instructions, "Adjusting the Pressure Switch".

--How do I remove / replace fuse?

Unscrew in-line fuse connector, or unscrew the car adapter housing.

--Can the spray tip on the wand be replaced with a different type of tip?

Yes, however your wand comes with a #18 tip which is standard. Brass tips generally produce better spray patterns than plastic.

--Each time I turn on the pump my fuse blows.

1) Excessive voltage 2) Improper adjustment of the pressure switch 3) Damaged wiring harness.

--What is the warranty (time duration) on pump, tank, trailer pieces, and accessories?

1 year as stated in operation instructions.

--Pressure gauge reads 85 -90 psi before shutting off - should pump shut off at 60 psi?

Pump 7802 2.0 GPM comes preset from the factory to shut off at 60 PSI. Should this vary please see, "Adjusting the Pressure Switch" in the operation manual. Turn on pump and hold spray wand open, slowly adjust until the pump shuts off at 60 PSI.

--Pump continues to run and surge when not spraying.

Ensure the by-pass is completely closed and your system has no leaks. Check by-pass hose to ensure no fluid is passing through the valve while in the closed position. If so replace valve.

WARNING - Ensure the wiring harness does not become pinched or damaged in any way. This may damage the pump or cause the wiring harness to overheat, resulting in a melt down or fire.

